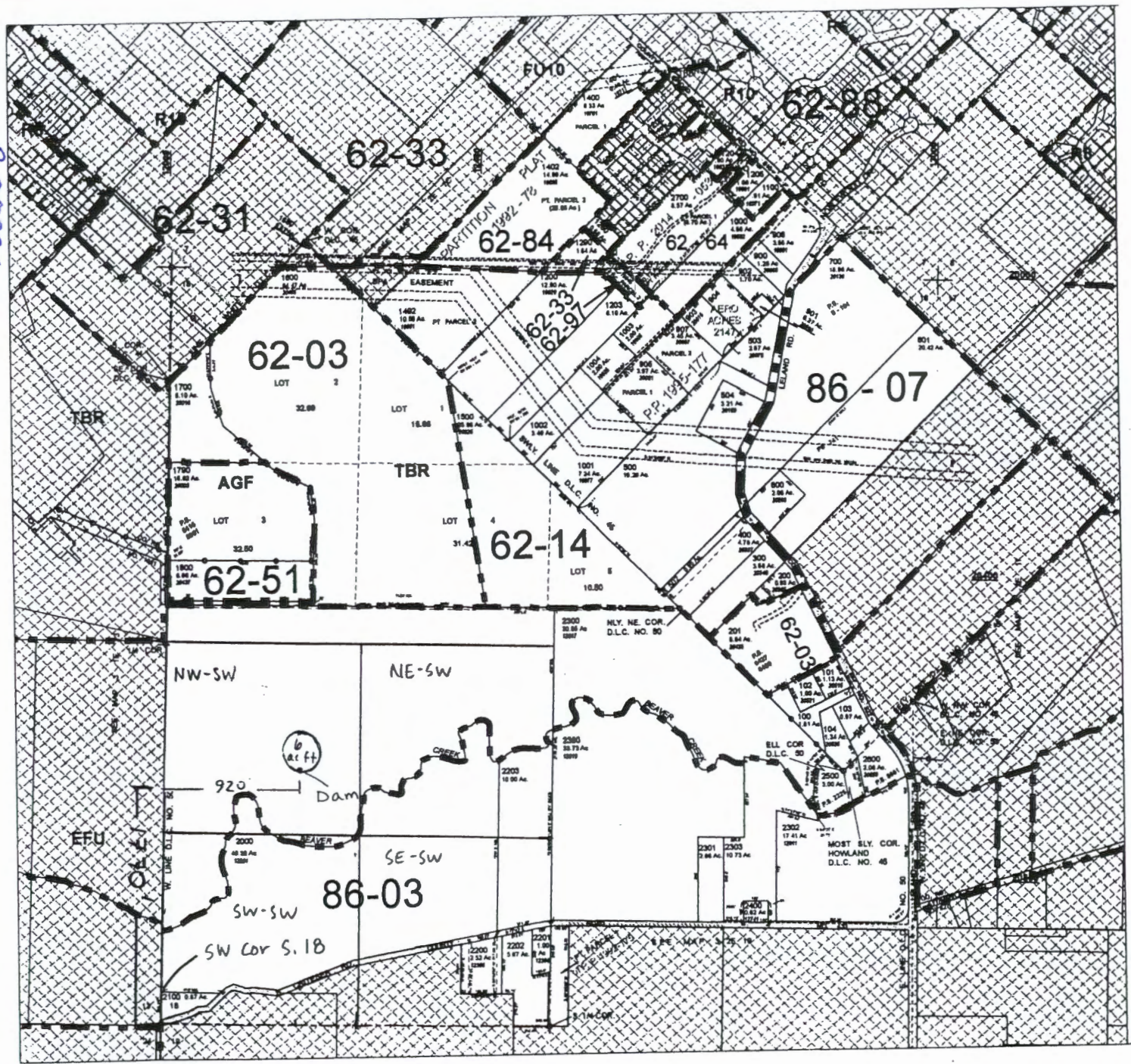


12-98256



Ben McLune
 T3S, R2E
 Section 18

Scale 1"=1000'
 ↑
 N

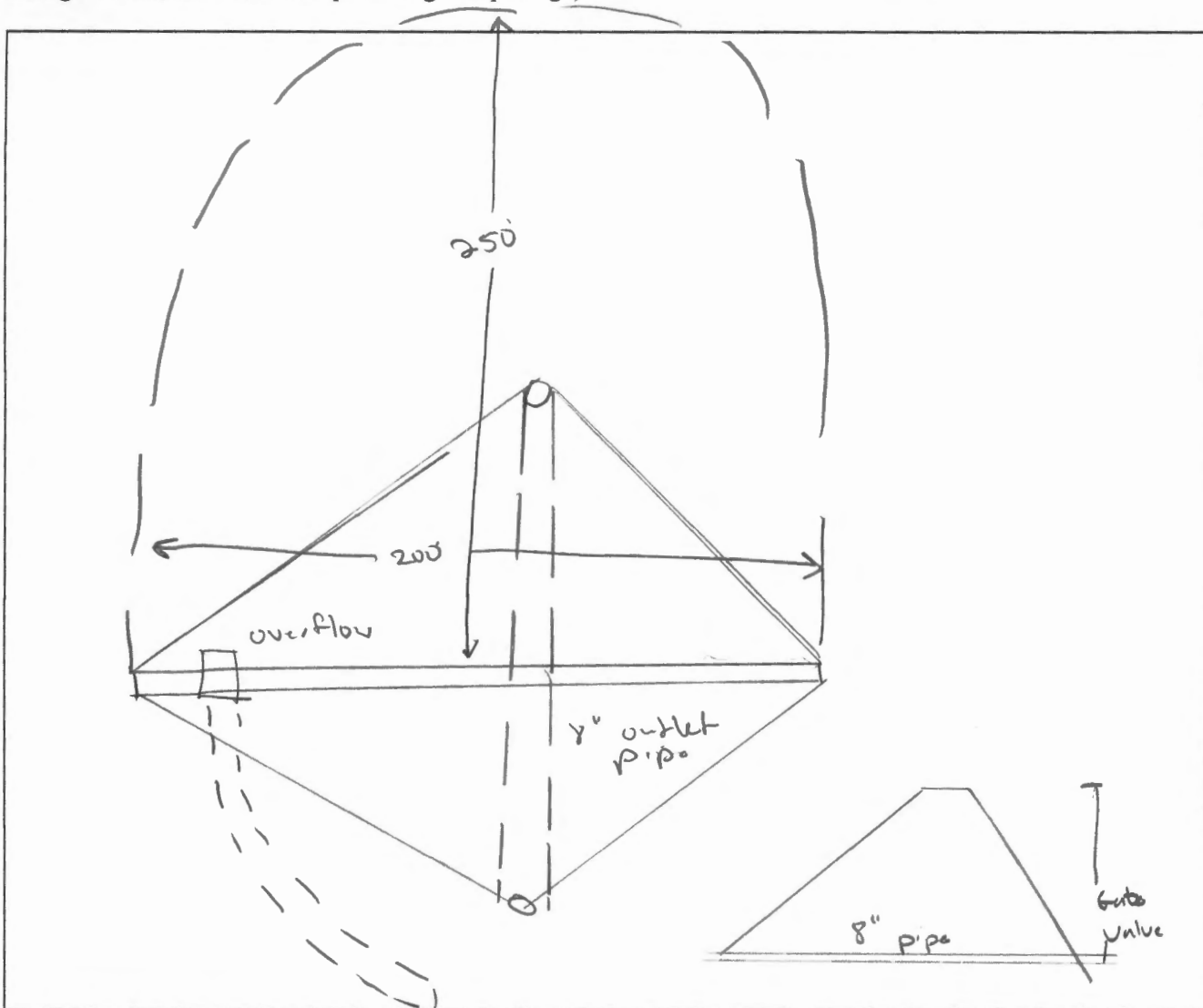
Center of dam
 located 920' E,
 1770' N fr. SW
 Corner S. 18

RECEIVED

MAY 31 2016

WATER RESOURCES DEPT
 SALEM, OREGON

If the diversion involves a dam, use this space for sketches of the diversion (e.g. cross-section of the dam with its dimensions, dimension and placement of outlet pipe, means of passing live flow outside of the authorized storage season, and means for providing fish passage).



9. SIGNATURE

I swear that all statements made and information provided in this application are true and correct to the best of my knowledge.

[Handwritten signature]

Landowner Signature

5/31/10

Date

Before you submit your application be sure you have:

- Answered each question completely.
- Included a legible map that includes Township, Range, Section, quarter-quarter and tax lot number.
- The map must meet map requirements to be accepted.
- Included a land use form or receipt stub signed by a local planning official.
- Included a check payable to Oregon Water Resources Department for the appropriate amount.

RECEIVED

MAY 31 2016

WATER RESOURCES DEPT
SALE OF CDD

R-88436