

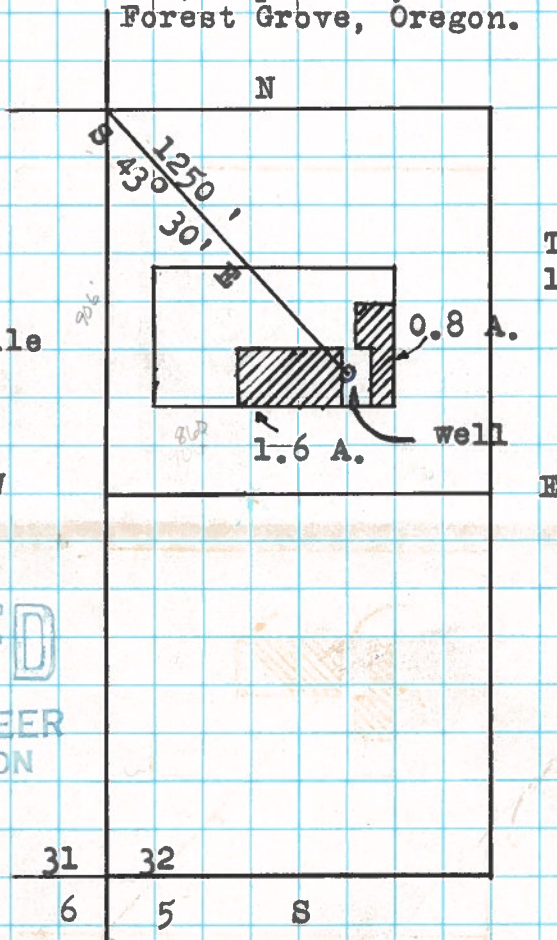
LOCATION OF WELL

D. L. Mc Cue
2247 Maple St.,
Forest Grove, Oregon.

T 1 N R 3 W

Scale 8" to 1 mile

Total irrigated
land 2.4 acres.



RECEIVED
APR 1 1958
STATE ENGINEER
SALEM, OREGON

AKLBY