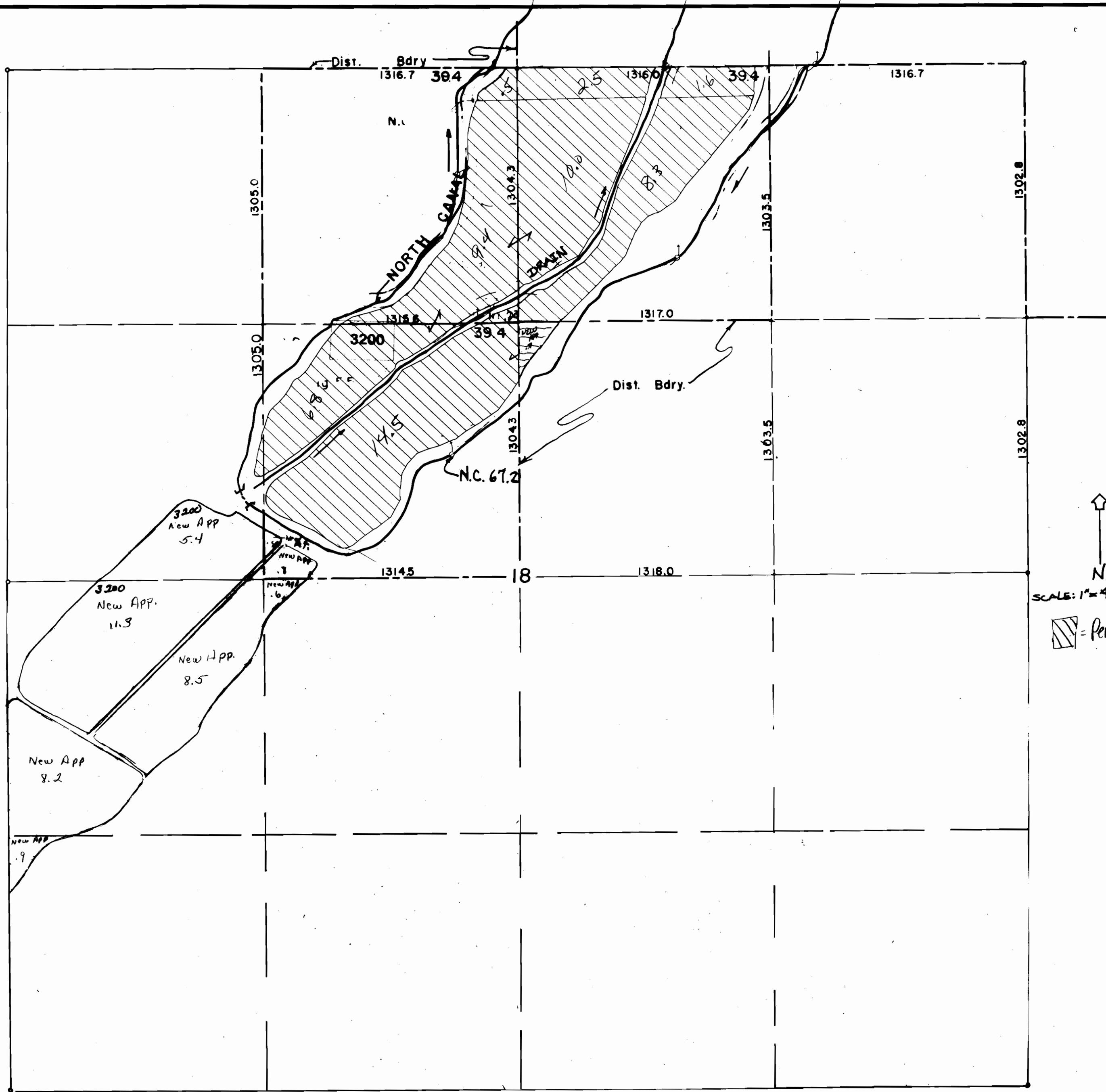




# OWYHEE IRRIGATION DISTRICT



  
 N.  
 SCALE: 1" = 400'  
 = Permit #8171

SEC. 18 - T. 16S. R. 47E  
48-102-1548