

**Application for a Water Right Permit
in the Name of the City of Hillsboro**
Washington County
Township 1 South, Range 2 West (W.M)

LEGEND

- ⊙ Point of Diversion (POD)
- ⊠ Water Control Structure (WCS)
- ▨ Place of Use (POU)
- All Other Features**
- Tax Lot
- ▭ Hillsboro City Limits
- ~ Watercourse

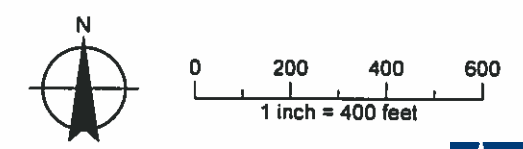
RECEIVED
MAY 16 2018
OWRD

POD LOCATION DESCRIPTION

OUTLET (WCS 2): Located 607 feet North and 3409 feet East from the SW corner of Section 6, Township 1 South, Range 2 West (W.M.)

DISCLAIMER

This map was prepared for the purpose of identifying the location of a water right only and it is not intended to provide legal dimensions or location of property ownership lines.



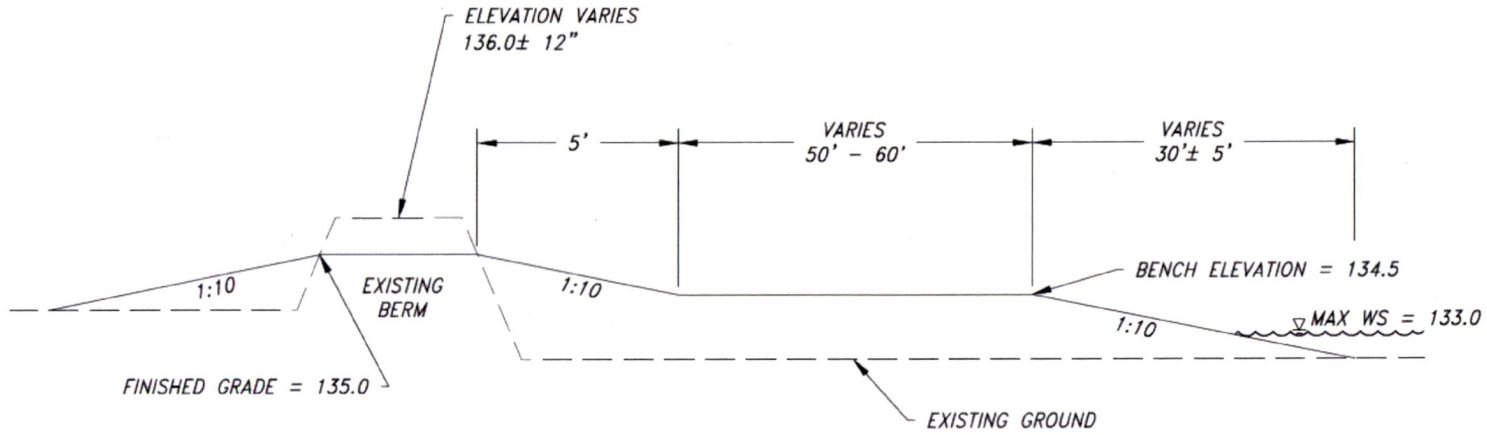
NOTES
Date: May 1 2018
Data Sources: BLM, ESRI, Washington Co., USGS



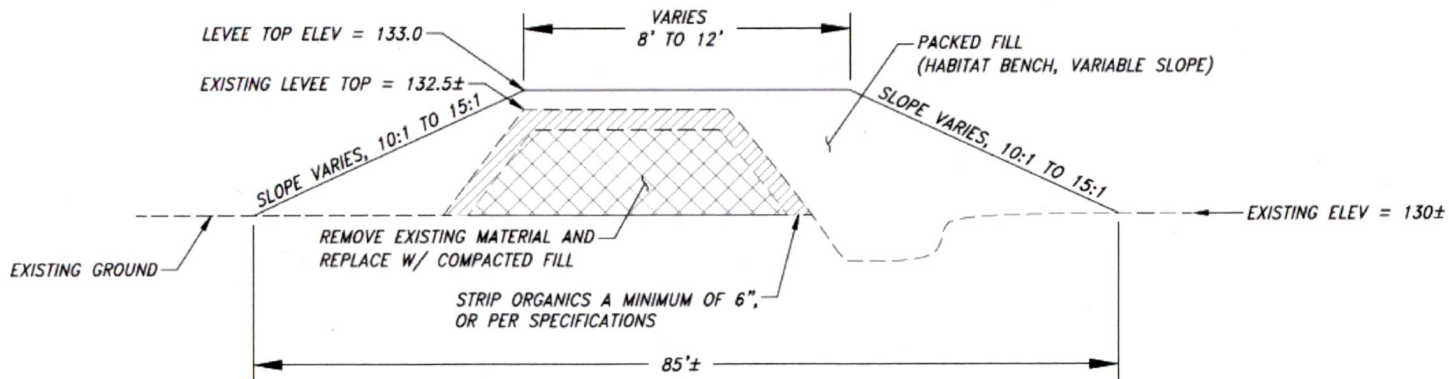
12-88582

R-88582

Perimeter berm



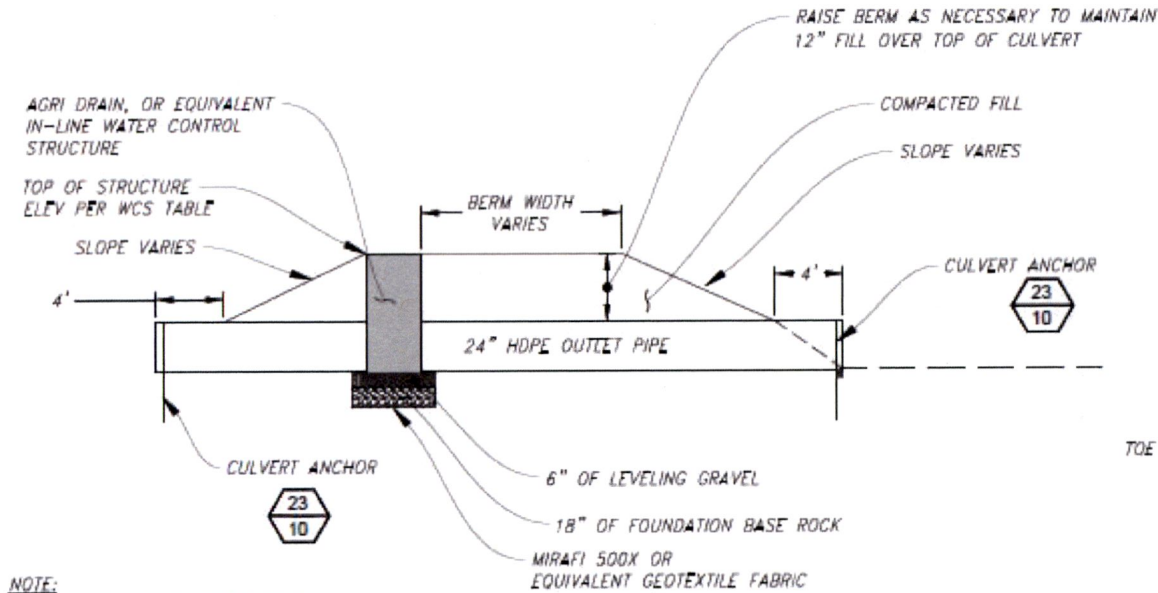
Dividing levee



RECEIVED
MAY 16 2018
OWPRD

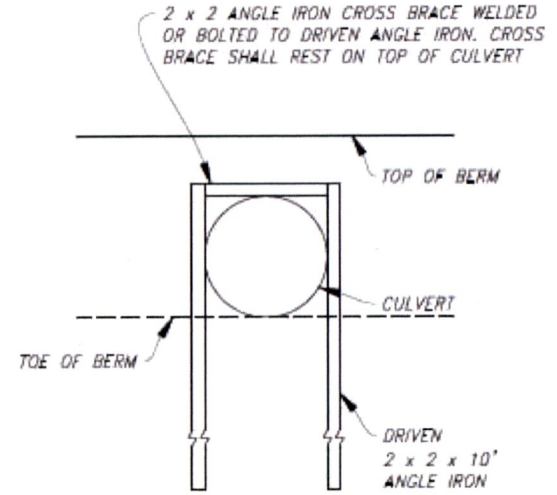
12-08-08

Water control structure; reservoir outlet



NOTE:
 EXISTING GRAVEL @ WCS04 TO BE STOCKPILED & RESPREAD AFTER BACKFILL OF CULVERT IS COMPLETE.

22 TYPICAL WATER CONTROL STRUCTURE
10 AGRI-DRAIN



23 CULVERT ANCHOR
10 INLET & OUTLET PIPE

RECEIVED
 MAY 16 2018
 OWRD