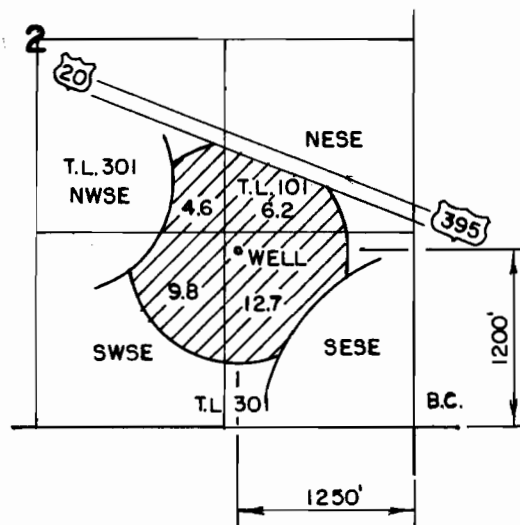


T 24 S, R 29 E, WM



THE PURPOSE OF THIS MAP IS TO IDENTIFY THE LOCATION OF THE WATER RIGHT. IT IS NOT INTENDED TO PROVIDE INFORMATION RELATIVE TO THE LOCATION OF PROPERTY OWNERSHIP.

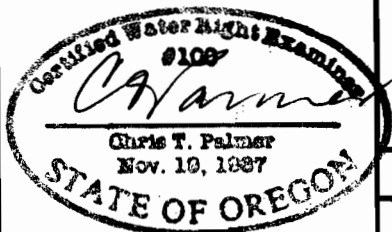
RECEIVED

MAY 29 2007

WATER RESOURCES DEPT
SALEM OREGON

BAUER FAMILY FARM, LLC

WATER RIGHT APPLICATION MAP



RENEW 1-1-2009

Scale: 4" = 1 MILE

Date: APRIL 2007

Job: 2375

Dsn:

Drn: CHRIS

Ckd:



M.A. PALMER & SONS, INC.
ENGINEERING & SURVEYING
711 Ponderosa Village • Box 61
Burns, Oregon 97720

Sht. No.

of 1