

Secretary of State
Certificate and Order for Filing
PERMANENT ADMINISTRATIVE RULES

FILED
8-25-17 2:31 PM
ARCHIVES DIVISION
SECRETARY OF STATE

I certify that the attached copies are true, full and correct copies of the PERMANENT Rule(s) adopted on 08/18/2017 by the

<u>Water Resources Department</u>	<u>690</u>
Agency and Division	Administrative Rules Chapter Number
<u>Diana Enright</u>	<u>(503) 986-0874</u>
Rules Coordinator	Telephone
<u>725 Summer St. NE, Salem, OR 97301</u>	
Address	

To become effective Upon filing. Rulemaking Notice was published in the May 2017 Oregon Bulletin.

RULE CAPTION

Modifies back-siphon prevention device standards for irrigation systems using groundwater to chemigate or fertigate.

Not more than 15 words that reasonably identifies the subject matter of the agency's intended action.

RULEMAKING ACTION

Secure approval of new rule numbers with the Administrative Rules Unit prior to filing.

ADOPT:

AMEND:

690-215-0017

REPEAL:

RENUMBER:

AMEND AND RENUMBER:

Statutory Authority:

ORS 536, 537, & 540

Other Authority:

Statutes Implemented:

ORS 537.780

RULE SUMMARY

The changes include:

- Clarifying the installation requirements for down well water treatment systems.
- Specifying the requirements for chemicals used to treat down well groundwater.
- Clarifying back-siphon prevention device testing requirements.
- Clarifying back-siphon prevention device options for irrigation wells with a mainline diameter four inches or larger when used to chemigate or fertigate.
- Clarifying back-siphon prevention device options for irrigation wells with a mainline diameter less than four inches when used to chemigate or fertigate.
- Clarifying the options for individuals that wish to utilize other methods to prevent backflow when applying chemicals or fertilizers through an irrigation system.
- Adding information regarding other agencies that also have backflow assembly requirements.
- Adding detailed requirements for bypass piping installed around approved back-siphon prevention devices.
- Specifying Department authority to require back-siphon prevention devices on any water supply well.

Diana Enright

diana.m.enright@oregon.gov

Rules Coordinator Name

Email Address

**WATER RESOURCES DEPARTMENT
DIVISION 215
MAINTENANCE, REPAIR AND DEEPENING OF WATER SUPPLY WELLS**

690-215-0005

Prevention of Groundwater Contamination, Health Hazard, and Waste

(1) The landowner of the property on which the water supply well is constructed is ultimately responsible for the maintenance and use of the water supply well. All water supply wells should be disinfected following the installation of pumping equipment. Refer to OAR 690-210-0380, **Appendix 2** for recommendations on well disinfection.

(2) The landowner shall maintain all water supply wells in a condition where they are not a health threat, a health hazard, a source of contamination or a source of waste of the ground water resource by allowing loss of artesian pressure or commingling of aquifers. A pitless adapter may be attached to the casing to transmit water from the well into the delivery pipeline. The pitless adapter shall be installed in such a manner as to prevent the contamination of the ground water resource. The landowner is responsible to assure that the space between the side of the well borehole and the well casing is sealed as required by OAR 690-215-0025.

(3) If, in the opinion of the Director, a water supply well is a health threat, a health hazard, a source of contamination, or a source of waste of the ground water resource, the Director may order discontinuance of, or impose conditions upon, the use of the water supply well. In addition, the Director may order that the well be repaired or permanently abandoned in accordance with OAR chapter 690, divisions 215 and 220 of the Standards for Construction and Maintenance of Water Supply Wells in the State of Oregon.

[ED. NOTE: Appendices referenced are available from the agency.]

Stat. Auth.: ORS 536.090 & 537.505 - 537.795

Stats. Implemented:

Hist.: WRD 3, f. & ef. 2-18-77; WRD 9-1978, f. 12-12-78, ef. 1-1-79; WRD 3-1983, f. & ef. 4-28-83; WRD 13-1986, f. 10-7-86, ef. 11-1-86, Renumbered from 690-062-0005; WRD 7-1988, f. & cert. ef. 6-29-88; WRD 21-1990, f. & cert. ef. 12-14-90; WRD 8-1993, f. 12-14-93, cert. ef. 1-1-94; WRD 7-2001, f. & cert. ef. 11-15-01; WRD 3-2008, f. 12-22-08, cert. ef. 1-2-09

690-215-0006

Well Alterations

(1) Well alterations as defined in OAR 690-200-0050(7) shall be performed by a licensed Water Supply Well Constructor, or a landowner with a Landowner's Well Construction Permit and bond.

(2) Water Supply Well Constructors or a permitted and bonded landowner shall record the following data, if available, on the Water Supply Well Report as required under OAR 690-205-0210 before completing alteration work on a well:

- (a) Pre-alteration static water level and date taken.
- (b) Pre-alteration casing diameter.
- (c) Pre-alteration casing gauge.
- (d) Pre-alteration well depth.

Note: These rules were filed with the Office of the Secretary of State and took effect on August 25, 2017. The rules are subject to non-substantive modifications such as renumbering and correction of typographical errors pursuant to ORS 183.360 (2)(a) when published by the Secretary of State.

(e) Pre-alteration seal material.

(3) Well alteration work shall be completed in accordance with OAR 690-215. The Water Supply Well Constructor shall only be responsible for the alteration work they performed under OAR 690-215.

Stat. Auth.: ORS 536.090, 537.505 - 537.795

Stats. Implemented:

Hist.: WRD 3-2008, f. 12-22-08, cert. ef. 1-2-09

690-215-0010

Maintenance of an Existing Well Following Construction of Replacement Well

Any time a new water supply well is constructed to replace an existing well which is a source of contamination, or is wasting the ground water resource by allowing loss of artesian pressure or commingling of aquifers, the existing well shall be repaired in compliance with these rules or abandoned in accordance with OAR 690-220-0030 through 690-220-0140.

Stat. Auth.: ORS 536.090 & 537.505 - 537.795

Stats. Implemented:

Hist.: WRD 7-1988, f. & cert. ef. 6-29-88; WRD 8-1993, f. 12-14-93, cert. ef. 1-1-94; WRD 7-2001, f. & cert. ef. 11-15-01

690-215-0016

Maintaining Well Setback Requirements

Within the boundaries of their own property, property owners are responsible for maintaining the applicable minimum setback distances for any well on their property. Refer to OAR 690-210-0030 for current minimum setback distances.

Stat. Auth.: ORS 536.090 & 537.505 - 537.795

Stats. Implemented: ORS 536.090 & 537.505 - 537.795

Hist.: WRD 7-2001, f. & cert. ef. 11-15-01

690-215-0017

Down Well Continuous Water Treatment and Back-Siphon Prevention Devices

(1) The following definitions apply solely to OAR 690-215-0017:

(a) “Backflow” means the flow of a mixture of water, fertilizer and/or chemicals in the opposite direction of that intended.

(b) “Backpressure” means an elevation of pressure downstream of the distribution system that would cause, or tend to cause, water to flow opposite of its intended direction.

(c) “Back-siphonage” means a drop in distribution system pressure below atmospheric pressure (partial vacuum), that would cause, or tend to cause, water to flow opposite of its intended direction.

(d) “Reduced Pressure Principle Backflow Prevention Assembly (RP)” means an assembly containing two independently acting approved check valves, together with a hydraulically operating, mechanically independent pressure differential relief valve located between the check

Note: These rules were filed with the Office of the Secretary of State and took effect on August 25, 2017. The rules are subject to non-substantive modifications such as renumbering and correction of typographical errors pursuant to ORS 183.360 (2)(a) when published by the Secretary of State.

valves and at the same time below the first check valve. The unit shall include properly located resilient seated test cocks and tightly closing resilient seated shutoff valves at each end of the assembly. This assembly is designed to protect against a non-health hazard or a health hazard.

(e) "University of Southern California, Foundation for Cross-Connection Control and Hydraulic Research (USC FCCCHR)" is an agency that conducts laboratory and field tests to evaluate and grant "Certificates of Approval" to backflow prevention assemblies meeting approved standards.

(2) If a chemical is used to treat well water, it shall not be allowed to come into contact with the inside of the well casing above the water level. Down well treatment of well water will only be allowed if a commercial water treatment system is used. Delivery pipes or tubes designed for use with the treatment chemicals shall be used to place the chemicals into the water in the well. This rule does not apply when disinfecting the well and the pumping equipment.

(3) Only chemicals approved by the National Sanitation Foundation to treat drinking water may be allowed to enter a well. In no event shall agricultural chemicals or fertilizers be allowed to enter a well.

(4) Back-siphon prevention devices shall be installed on any irrigation system connected to a groundwater source when chemicals or fertilizers are applied through the system. The landowner or other responsible party shall ensure that back-siphon prevention devices are installed and function properly prior to the irrigation system being used for the application of chemicals or fertilizers. (See **Figure 215-1** and **Figure 215-2**.) The landowner or other responsible party shall test the devices at the time of installation and prior to the first use of each calendar year to ensure that the devices are installed and function properly. The Department may require the landowner or other responsible party to submit a copy of the back-siphon prevention device test results for review. The installation of chemical or fertilizer injection equipment into an irrigation system connected to a groundwater source shall not result in contamination of the groundwater resource.

(a) Irrigation systems with a mainline diameter 4-inches or greater shall contain:

(A) An automatic low-pressure drain or similar device approved by the Water Resources Department which shall:

(i) Be installed between the irrigation pump and the irrigation mainline check valve at the lowest point of the horizontal water supply mainline;

(ii) Be designed to drain all incidental leakage from the check valve out of the irrigation mainline before that leakage enters the groundwater supply;

(iii) Be at least 3/4 inch in diameter with a closing pressure of not less than 5 psi;

(iv) Use a corrosion-resistant tube, pipe, or similar conduit that is sloped to discharge the solution a distance of at least 20 feet away and down-gradient from the irrigation groundwater source and any other water sources. At the discharge point there shall be an air gap between the discharge pipe and the discharged solution. The air gap shall be a minimum of six inches;

(v) Not have any valves located on the outlet side of the drain tube; and

(vi) Have a dam, collection reservoir or similar means to prevent the discharged solution from pooling and draining back toward the groundwater source.

(B) An inspection port or direct access point which shall:

(i) Be located on top of the mainline between the irrigation pump and the irrigation mainline check valve, directly overhead of the low-pressure drain; and

(ii) Have a minimum diameter opening of four inches from which the check valves and low-pressure drain shall be visible. If a four-inch inspection port or direct access point is not possible,

Note: These rules were filed with the Office of the Secretary of State and took effect on August 25, 2017. The rules are subject to non-substantive modifications such as renumbering and correction of typographical errors pursuant to ORS 183.360 (2)(a) when published by the Secretary of State.

a proposed alternative access system may be submitted for review and approval by the Department.

(C) An irrigation mainline check valve which shall:

- (i) Consist of at least a single check valve;
- (ii) Be located in the irrigation mainline between the irrigation pump and the point of chemical or fertilizer injection into the irrigation mainline, and downstream from the vacuum relief valve and automatic low-pressure drain;
- (iii) Be of heavy-duty construction with all materials being compatible with and resistant to any chemicals or fluids that it is expected to come into contact with;
- (iv) Be resistant to corrosion or protected to resist corrosion;
- (v) Be spring-loaded and provide and maintain a watertight seal against backflow;
- (vi) Be labeled with the following information: manufacturer's name and model number, working pressure in pounds per square inch (psi), maximum flow rate, and direction of flow;
- (vii) Not consist of metal-to-metal seal surfaces; and
- (viii) Be designed and rated for pressures expected to be encountered, including those caused by pumping, water hammers, back-pressure, or other sources. Installation, operation, maintenance and testing shall be according to design and manufacturer's specifications and recommendations.

(D) An air/vacuum relief valve which shall:

- (i) Be located on top of the horizontal irrigation mainline between the irrigation pump and the irrigation mainline check valve; and
- (ii) Have a total (individually or combined) orifice size of at least 3/4-inch diameter for a 4-inch pipe, a 1-inch diameter for a 5- to 8-inch pipe, a 2-inch diameter for 9- to 18-inch pipe, and a 3-inch diameter for a 19-inch and greater pipe.

(E) An automatic, quick-closing chemical injection line check valve which shall:

- (i) Be attached to the irrigation mainline or located between the chemical injection unit and the point of chemical or other fluid injection into the irrigation mainline;
- (ii) Be made of material that is compatible with and resistant to any chemicals or fluids to be injected;
- (iii) Prevent backflow of irrigation water into the chemical injection line; and
- (iv) Prevent siphoning or seepage from the chemical supply tank when the irrigation system is either automatically or manually shut down.

(F) A system interlock which shall: mechanically or electrically connect the water supply pump and the chemical injection unit for the purpose of automatically shutting down the chemical injection unit in the event of water supply pump shutdown or failure. The landowner or other responsible party shall demonstrate system interlock operation if requested by the Department.

(G) An emergency shut-off that can be operated manually by the landowner or other responsible party so that the irrigation system or the chemical injection unit can be shut down in the event it becomes necessary.

(H) A pressure switch that will stop the chemical injection unit when the water pressure decreases to the point where chemical or fertilizer distribution is adversely affected.

(b) Irrigation systems with a mainline diameter less than 4-inches shall contain:

(A) A lead free reduced pressure principle backflow prevention assembly (RP) which shall:

- (i) Be approved by the University of Southern California, Foundation for Cross-Connection Control and Hydraulic Research, or other equivalent testing laboratory;

Note: These rules were filed with the Office of the Secretary of State and took effect on August 25, 2017. The rules are subject to non-substantive modifications such as renumbering and correction of typographical errors pursuant to ORS 183.360 (2)(a) when published by the Secretary of State.

- (ii) Be installed horizontal unless they are specifically approved for vertical installation;
 - (iii) Be located in the irrigation mainline between the irrigation pump and the point of chemical or fertilizer injection into the irrigation mainline;
 - (iv) Be of heavy-duty construction with all materials compatible with and resistant to any chemicals or fluids that it is expected to come into contact with;
 - (v) Be resistant to corrosion or protected to resist corrosion;
 - (vi) Provide and maintain a watertight seal against reverse flow;
 - (vii) Be labeled with the following information: manufacturer's name and model number, working pressure in pounds per square inch (psi), maximum flow rate, and direction of flow;
 - (viii) Not consist of metal-to-metal seal surfaces;
 - (ix) Be designed and rated for pressures expected to be encountered, including those caused by pumping, water hammers, back-pressure, or other sources. Installation, operation, maintenance and testing shall be according to design and manufacturer's specifications and recommendations; and
 - (x) Include an approved air gap and drain line. The diameter of the drain line shall be at least as large as the mainline diameter. The drain line shall be sloped in such a manner as to drain all incidental leakage a distance of at least 20 feet away and down-gradient from the irrigation groundwater source and the RP assembly. The air gap shall be a minimum of one and one-half times the diameter of the mainline. The outlet side of the drain line shall have a dam, collection reservoir or similar means to prevent the discharged solution from pooling and draining back toward the groundwater source.
- (B) An automatic, quick-closing chemical injection line check valve which shall:
- (i) Be attached to the irrigation mainline or located between the chemical injection unit and the point of chemical or fertilizer injection into the irrigation mainline;
 - (ii) Be made of material that is compatible with and resistant to any chemicals or fluids to be injected;
 - (iii) Prevent backflow of irrigation water into the chemical injection line; and
 - (iv) Prevent siphoning or seepage from the chemical supply tank when the irrigation system is either automatically or manually shut down.
- (C) A system interlock which shall: mechanically or electrically connect the water supply pump and the chemical injection unit for the purpose of automatically shutting down the chemical injection unit in the event of water supply pump shutdown or failure. The landowner or other responsible party shall demonstrate system interlock operation if requested by the Department.
- (D) An emergency shut-off that can be operated manually by the landowner or other responsible party so that the irrigation system or the chemical injection unit can be shut down in the event it becomes necessary.
- (E) A pressure switch that will stop the chemical injection unit when the water pressure decreases to the point where chemical or fertilizer distribution is adversely affected.
- (c) The Director may allow modifications or changes in materials, design, or technology in lieu of that specified herein. Requests for modifications or changes shall be in writing, detailing the current or proposed system and the desired changes, and shall include component specifications, a detailed drawing of the proposed system, and the system's uses. Once installed, the modified system shall provide at least as much protection to the groundwater resource as that provided by the devices required in this regulation;

Note: These rules were filed with the Office of the Secretary of State and took effect on August 25, 2017. The rules are subject to non-substantive modifications such as renumbering and correction of typographical errors pursuant to ORS 183.360 (2)(a) when published by the Secretary of State.

- (d) The injection of chemicals or fertilizers into an irrigation system connected to a groundwater source shall not occur within ten feet from a wellhead.
- (e) An additional vacuum relief valve may be installed downstream of the irrigation mainline check valve to prevent potential collapse of the irrigation mainline in the event of rapid mainline drainage.
- (f) The landowner or other responsible party shall ensure that additional inspections and testing of approved back-siphon prevention devices are conducted:
 - (A) At the time of any repair or relocation;
 - (B) More frequently than annually for back-siphon prevention devices that repeatedly fail; or
 - (C) After a backflow incident.
- (g) These regulations are in addition to equipment requirements for chemical application under the Federal Insecticide, Fungicide and Rodenticide Act, and are not intended to replace those regulations;
- (h) Irrigation systems that are subject to OAR 690-215-0017(4) and are connected to:
 - (A) A public water system, shall also comply with Oregon Health Authority cross-connection control requirements in OAR Chapter 333 and backflow prevention requirements in the Oregon Plumbing Specialty Code. Contact the Oregon Health Authority and the Oregon Building Codes Division for more information;
 - (B) A private water system, shall also meet the backflow prevention requirements in the Oregon Plumbing Specialty Code. Contact the Oregon Building Codes Division for more information.
- (i) Before each chemical application, the treatment site and surrounding area should be assessed to determine if the application will endanger or be a potential hazard to workers, bystanders, domestic animals, fish or wildlife, ground or surface water, or neighboring crops.
- (5) Back-siphon prevention devices found not to be functioning properly shall be either repaired or replaced. Repair or replacement shall take place prior to the irrigation system being used for the application of chemicals or fertilizers.
- (6) Bypass piping installed around approved back-siphon prevention devices must be equipped with approved back-siphon prevention devices and must:
 - (a) Afford at least the same level of protection as the approved back-siphon prevention devices being bypassed; and
 - (b) Comply with all other requirements.
- (7) The landowner or other responsible party shall provide access and clearance for required operation, testing, maintenance, and repair of back-siphon prevention devices.
- (8) In cold climate areas, back-siphon prevention devices shall be protected from freezing.
- (9) Back-siphon prevention devices shall:
 - (a) Not be located in any area containing fumes that are toxic, poisonous, or corrosive;
 - (b) Be installed in a manner that precludes the possibility of continuous submersion of back-siphon prevention devices; and
 - (c) Be installed in a manner that precludes the possibility of any submersion of the air/vacuum relief valve.
- (10) The Director may require a landowner or other responsible party to install a back-siphon prevention device on any water supply well, including wells which are exempted by ORS 537.545. The Director also may require a landowner or other responsible party to install a back-siphon prevention device as a condition of a water right permit. When required to be installed:

Note: These rules were filed with the Office of the Secretary of State and took effect on August 25, 2017. The rules are subject to non-substantive modifications such as renumbering and correction of typographical errors pursuant to ORS 183.360 (2)(a) when published by the Secretary of State.

(a) Back-siphon prevention devices shall be specifically designed and manufactured to prevent backflow, back-siphonage, backpressure, siphoning, seepage, suction, or leakage and shall prevent used, unclean, polluted, or contaminated water, mixtures, or substances from entering the groundwater resource;

(b) The landowner or other responsible party shall test the back-siphon prevention devices at the time of installation and once per calendar year to ensure that they are functioning properly;

(c) The Department may require the landowner or other responsible party to test the back-siphon prevention devices more frequently than annually to ensure that they are functioning properly; and

(d) The Department may require the landowner or other responsible party to submit a copy of the back-siphon prevention device test results for review.

(11) Whenever the Director deems it appropriate, the Department may investigate alleged violation of statutes, standards or rules governing back-siphon prevention devices to determine whether a violation has occurred. Violations of OAR 690-215-0017 may be administered under ORS 536.900(1)(b), 537.990(3), or OAR Chapter 690, Division 260, as appropriate to gain compliance.

(12) Additional Oregon Health Authority standards apply to wells used for public water systems. See OAR Chapter 333 or contact the Oregon Health Authority for more information.

(13) Additional requirements in the Oregon Plumbing Specialty Code apply to wells used for public or private water systems. Contact the Oregon Building Codes Division for more information.

[ED. NOTE: Figures referenced in this rule are available from the agency.]

Stat. Auth.: ORS 536.090 & 537.505 - 537.795

Stats. Implemented:

Hist.: WRD 7-1988, f. & cert. ef. 6-29-88; WRD 1-1991, f. & cert. ef. 2-8-91; WRD 8-1993, f. 12-14-93, cert. ef. 1-1-94; WRD 7-2001, f. & cert. ef. 11-15-01; WRD 8-2017, f. & cert. ef. 8/25/2017

690-215-0020

Valves and Casing on Artesian Wells

Valves and casing on all artesian wells shall be maintained in a condition so that the flow of water can be completely stopped when the water is not being put to beneficial use. All casing, liner pipe, and casing seals shall be maintained in a condition that will prevent surface or subsurface leakage of ground water. Valves shall be closed when water is not being put to beneficial use. During periods of subfreezing temperatures, a valve may be partially opened to prevent damage due to freezing.

Stat. Auth.: ORS 183, 536, 537 & 540

Stats. Implemented:

Hist.: WRD 3, f. & ef. 2-18-77; WRD 9-1978, f. 12-12-78, ef. 1-1-79; WRD 13-1986, f. 10-7-86, ef. 11-1-86, Renumbered from 690-062-0010 by WRD

690-215-0025

Sealing Pitless Adapter and Pitless Units

Note: These rules were filed with the Office of the Secretary of State and took effect on August 25, 2017. The rules are subject to non-substantive modifications such as renumbering and correction of typographical errors pursuant to ORS 183.360 (2)(a) when published by the Secretary of State.

The sealing area around pitless adapter or pitless unit installations shall be replaced with unhydrated bentonite as required by OAR 690-210-0330 and shall be at least one and one-half inches thick around the casing and pitless device.

Stat. Auth.: ORS 183, 536, 537 & 540

Stats. Implemented:

Hist.: WRD 3-2008, f. 12-22-08, cert. ef. 1-2-09

690-215-0030

Casing and Casing Extensions

(1) All well casing used to extend a well head above land surface or used in the alteration, repair or deepening of water supply wells shall meet the minimum standards in OAR 690-210.

(2) The annular space surrounding the well casing used to extend the well head shall be sealed as required by OAR 690-210 and shall be at least four inches greater than the nominal inside diameter of the permanent well casing.

NOTE: Prior to extending the casing on public, community, municipal, or public utility water supply wells, contact the Department of Human Services. Additional requirements may apply.

Stat. Auth.: ORS 183, 536, 537 & 540

Stats. Implemented:

Hist.: WRD 9-1978, f. 12-12-78, ef. 1-1-79; WRD 13-1986, f. 10-7-86, ef. 11-1-86, Renumbered from 690-061-0221; WRD 7-2001, f. & cert. ef. 11-15-01; WRD 3-2008, f. 12-22-08, cert. ef. 1-2-09

690-215-0035

Liner Pipe

All liner pipe used in the alteration, repair or deepening of water supply wells shall meet the minimum standards in OAR 690-210-0290.

Stat. Auth.: ORS 183, 536, 537 & 540

Stats. Implemented:

Hist.: WRD 3-2008, f. 12-22-08, cert. ef. 1-2-09

690-215-0040

Casing and Sealing Wells after Disturbance

(1) If during the installation of casing, liner pipe, seals, packers, or during repair or deepening of a water supply well, the pre-existing casing is withdrawn, or moved as to compromise the annular seal, the well shall be cased and sealed in accordance with the rules set forth in OAR 690-210.

(2) If the annular seal is not compromised when cleaning out a water supply well or installing liner pipe, the water supply well shall not require re-casing or re-sealing.

Stat. Auth.: ORS 183, 536, 537 & 540

Stats. Implemented:

Note: These rules were filed with the Office of the Secretary of State and took effect on August 25, 2017. The rules are subject to non-substantive modifications such as renumbering and correction of typographical errors pursuant to ORS 183.360 (2)(a) when published by the Secretary of State.

Hist.: WRD 9-1978, f. 12-12-78, ef. 1-1-79; WRD 13-1986, f. 10-7-86, ef. 11-1-86, Renumbered from 690-061-0226; WRD 7-1988, f. & cert. ef. 6-29-88; WRD 7-2001, f. & cert. ef. 11-15-01; WRD 3-2008, f. 12-22-08, cert. ef. 1-2-09

690-215-0045

Deepening of Wells

- (1) Only the following wells may be deepened without an approved special standard:
- (a) Wells with well reports that describe the original construction. The original well report must be:
 - (A) Referenced on the deepening well report; or
 - (B) Attached to the deepening well report.
 - (b) Wells that are recased and resealed to meet the current minimum well construction standards.
- (2) The static water level shall be measured prior to and after deepening any well. Both readings shall be recorded on the well log.
- (3) If the deepening of an existing well results in access to a new aquifer then prior to completion of deepening work all previous aquifers, including previous aquifers that have gone dry or are low-producing, shall be cased and sealed off using the methods described in OAR 690-210.
- (4) The deepening of a water supply well shall not result in the commingling of aquifers.

Stat. Auth.: ORS 183, 536, 537 & 540

Stats. Implemented:

Hist.: WRD 7-2001, f. & cert. ef. 11-15-01; WRD 3-2014, f. & cert. ef. 11-25-14

690-215-0050

Well Cover

All water supply wells shall be securely covered to prevent any foreign substance from entering the well, including any material which might contaminate the ground water. The well cover shall meet the requirements of OAR 690-220-0005.

Stat. Auth.: ORS 183, 536, 537 & 540

Stats. Implemented:

Hist.: WRD 13-1986, f. 10-7-86, ef. 11-1-86; WRD 7-2001, f. & cert. ef. 11-15-01

690-215-0055

Well Identification Label Maintenance

The well identification label shall not be removed from the wellhead and shall be maintained by the landowner in an accessible location and in a readable condition. See OAR 690-200-0048 for well identification label placement methods and instructions.

[ED. NOTE: Appendices referenced are available from the agency.]

Stat. Auth.: ORS 536.090 & 537.505 - 537.795

Stats. Implemented: ORS 536.090 & 537.505 - 537.795

Hist.: WRD 7-2001, f. & cert. ef. 11-15-01; WRD 5-2016, f. & cert. ef. 9-6-16

Note: These rules were filed with the Office of the Secretary of State and took effect on August 25, 2017. The rules are subject to non-substantive modifications such as renumbering and correction of typographical errors pursuant to ORS 183.360 (2)(a) when published by the Secretary of State.

690-215-0060

Access Ports, Dedicated Measuring Tubes and Airlines

- (1) All water supply wells, including wells that have been temporarily removed from service, temporarily abandoned due to a recess in construction, or temporarily abandoned before commencing service, shall be properly covered and shall be equipped with a usable access port with a minimum diameter of 1/2-inch for the purpose of determining the water level in the well at any time.
- (2) Dedicated measuring tubes are recommended to be installed on all water supply wells at the time of pump installation, pump repair, or pump replacement. Where required, dedicated measuring tubes shall be a minimum of 3/4-inch diameter schedule 40 PVC extending to the top of the pump. The 3/4-inch diameter dedicated measuring tube may be reduced in size to 1/2-inch where it goes through the watertight well cap, but shall not be reduced in size over the length of the pipe. Dedicated measuring tubes shall be vented above and below the well cap and shall be attached to the pump column at 10 foot intervals with 10 mil plastic tape. The lower five feet of the dedicated measuring tube shall be either 0.020 inch machine slotted well screen or the lower 20 feet of the dedicated measuring tube shall be extensively perforated with 1/8 inch holes. Dedicated measuring tubes shall be plugged or capped at the bottom (See Figure 200-5) and shall remain free from wire or other obstruction.
- (3) An airline is not a substitute for a required dedicated measuring tube and, if installed, must enter the well in a location other than the access port.
- (4) Access ports, dedicated measuring tubes or airlines on all water supply wells shall be capped and a minimum of twelve inches above finished ground surface or pumphouse floor. If the well has a pitless adaptor then the dedicated measuring tube shall terminate within six inches of the top of the well casing.
- (5) Access ports, airlines and dedicated measuring tubes on all water supply wells shall be maintained by the landowner in a condition that will prevent contamination of the groundwater resource.

Stat. Auth.: ORS 183, 536, 537 & 540

Stats. Implemented:

Hist.: WRD 3, f. & ef. 2-18-77; WRD 9-1978, f. 12-12-78, ef. 1-1-79; WRD 13-1986, f. 10-7-86, ef. 11-1-86, Renumbered from 690-062-0015; WRD 7-2001, f. & cert. ef. 11-15-01; WRD 2-2008, f. 6-18-08, cert. ef. 7-1-08; WRD 5-2016, f. & cert. ef. 9-6-16

690-215-0070

Pressure Gauge

The pressure gauge and petcock valve required by OAR 690-210-0155 shall be maintained so that the artesian pressure can be accurately determined at any time. (See **Figure 210-7.**)

[ED. NOTE: Figures referenced in this rule are available from the agency.]

Stat. Auth.: ORS 183, 536, 537 & 540

Stats. Implemented:

Hist.: WRD 3, f. & ef. 2-18-77; WRD 9-1978, f. 12-12-78, ef. 1-1-79; WRD 13-1986, f. 10-7-86, ef. 11-1-86, Renumbered from 690-062-0020; WRD 7-2001, f. & cert. ef. 11-15-01

Note: These rules were filed with the Office of the Secretary of State and took effect on August 25, 2017. The rules are subject to non-substantive modifications such as renumbering and correction of typographical errors pursuant to ORS 183.360 (2)(a) when published by the Secretary of State.

690-215-0080

Flowmeters and Dedicated Measuring Tubes

The Director may require the landowner to install totalizing flowmeters or dedicated measuring tubes on any water supply well, either as a condition of a water right permit or at a later date as circumstances may warrant. The landowner may be required to install totalizing flowmeters or dedicated measuring tubes on existing permitted wells and on wells which are exempted by ORS 537.545.

Stat. Auth.: ORS 183, 536, 537 & 540

Stats. Implemented:

Hist.: WRD 13-1986, f. 10-7-86, ef. 11-1-86; WRD 7-2001, f. & cert. ef. 11-15-01; WRD 2-2008, f. 6-18-08, cert. ef. 7-1-08

690-215-0090

Conversion to an Artesian Well

If a water supply well becomes artesian upon deepening, the well shall be cased, sealed and completed in accordance with OAR 690-210-0155.

Stat. Auth.: ORS 183, 536, 537 & 540

Stats. Implemented:

Hist.: WRD 9-1978, f. 12-12-78, ef. 1-1-79; WRD 13-1986, f. 10-7-86, ef. 11-1-86, Renumbered from 690-061-0236; WRD 7-2001, f. & cert. ef. 11-15-01

690-215-0100

Drilling in a Dug Well

In no case shall a dug well be deepened by drilling methods.

Stat. Auth.: ORS 183, 536, 537 & 540

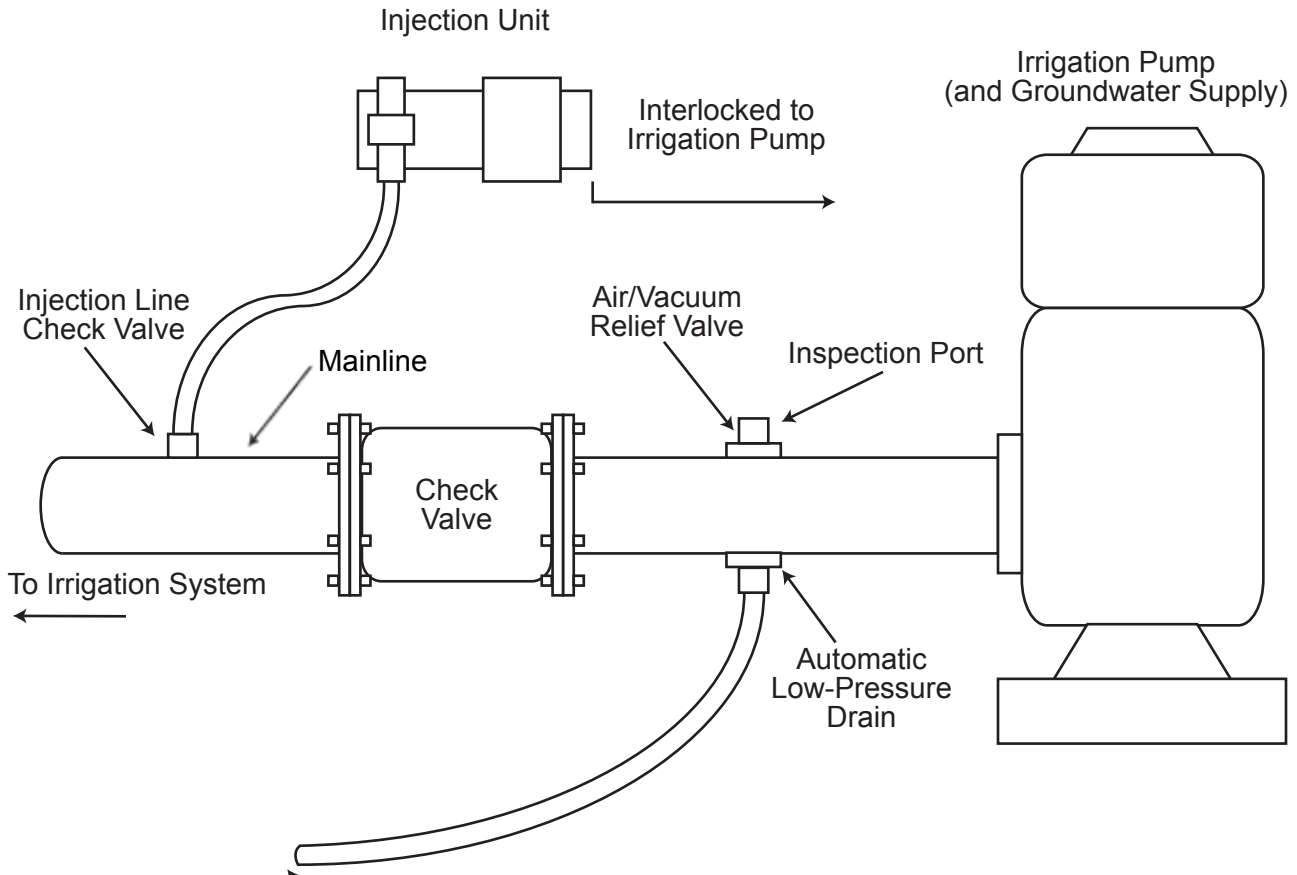
Stats. Implemented:

Hist.: WRD 9-1978, f. 12-12-78, ef. 1-1-79; WRD 13-1986, f. 10-7-86, ef. 11-1-86, Renumbered from 690-061-0241

Note: These rules were filed with the Office of the Secretary of State and took effect on August 25, 2017. The rules are subject to non-substantive modifications such as renumbering and correction of typographical errors pursuant to ORS 183.360 (2)(a) when published by the Secretary of State.

Backflow Prevention Device

Figure 215-1

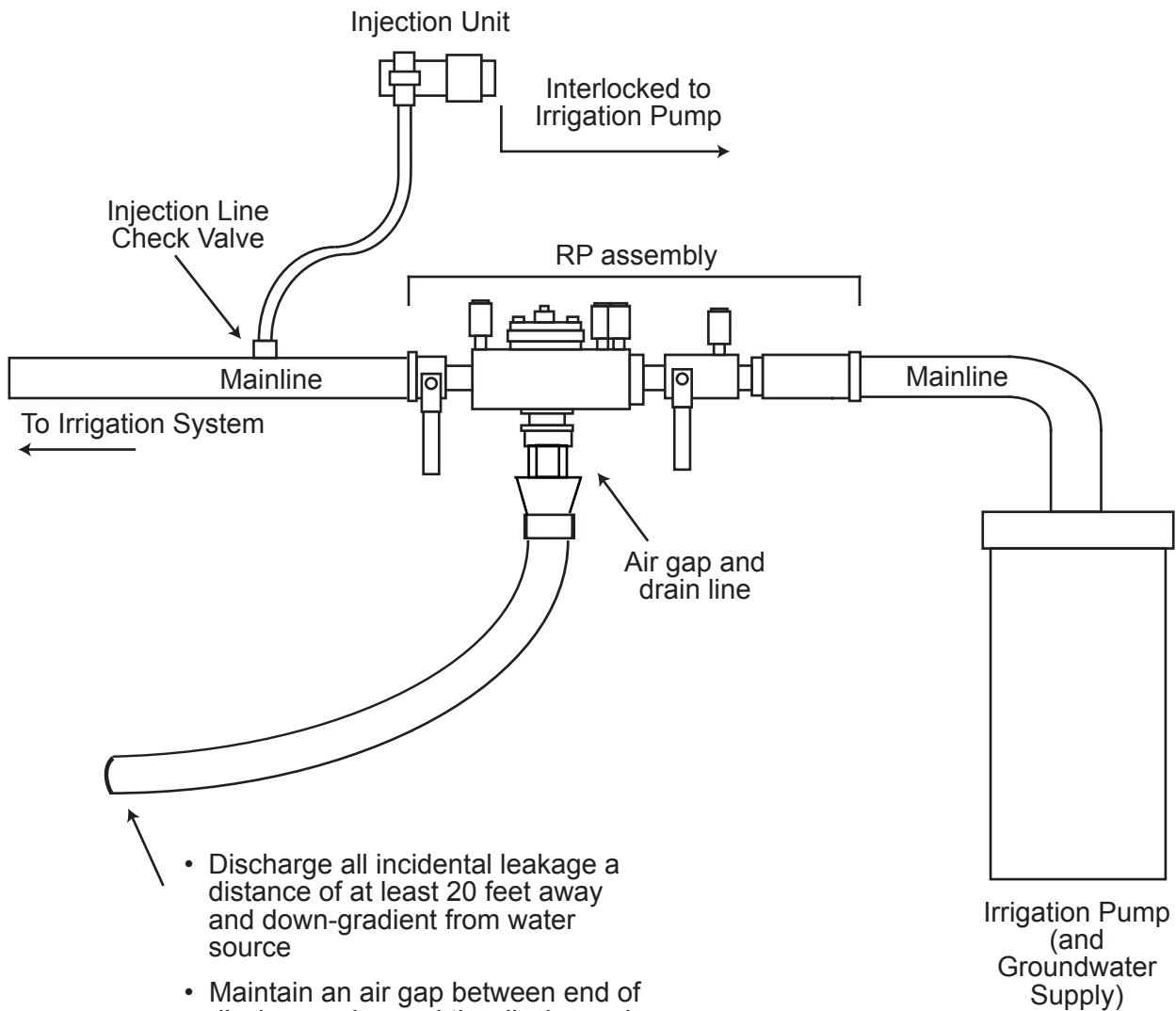


- Discharge solution a distance of at least 20 feet away and down-gradient from water source
- Maintain an air gap between end of discharge pipe and the discharged solution
- Chemical or fertilizer injection shall not occur within ten feet from a wellhead

Backflow prevention device using check valve with vacuum relief and low pressure drain.

Backflow Prevention Device

Figure 215-2



- Discharge all incidental leakage a distance of at least 20 feet away and down-gradient from water source
- Maintain an air gap between end of discharge pipe and the discharged solution
- Chemical or fertilizer injection shall not occur within ten feet from a wellhead

Backflow prevention device using a reduced pressure principle backflow prevention assembly (RP).