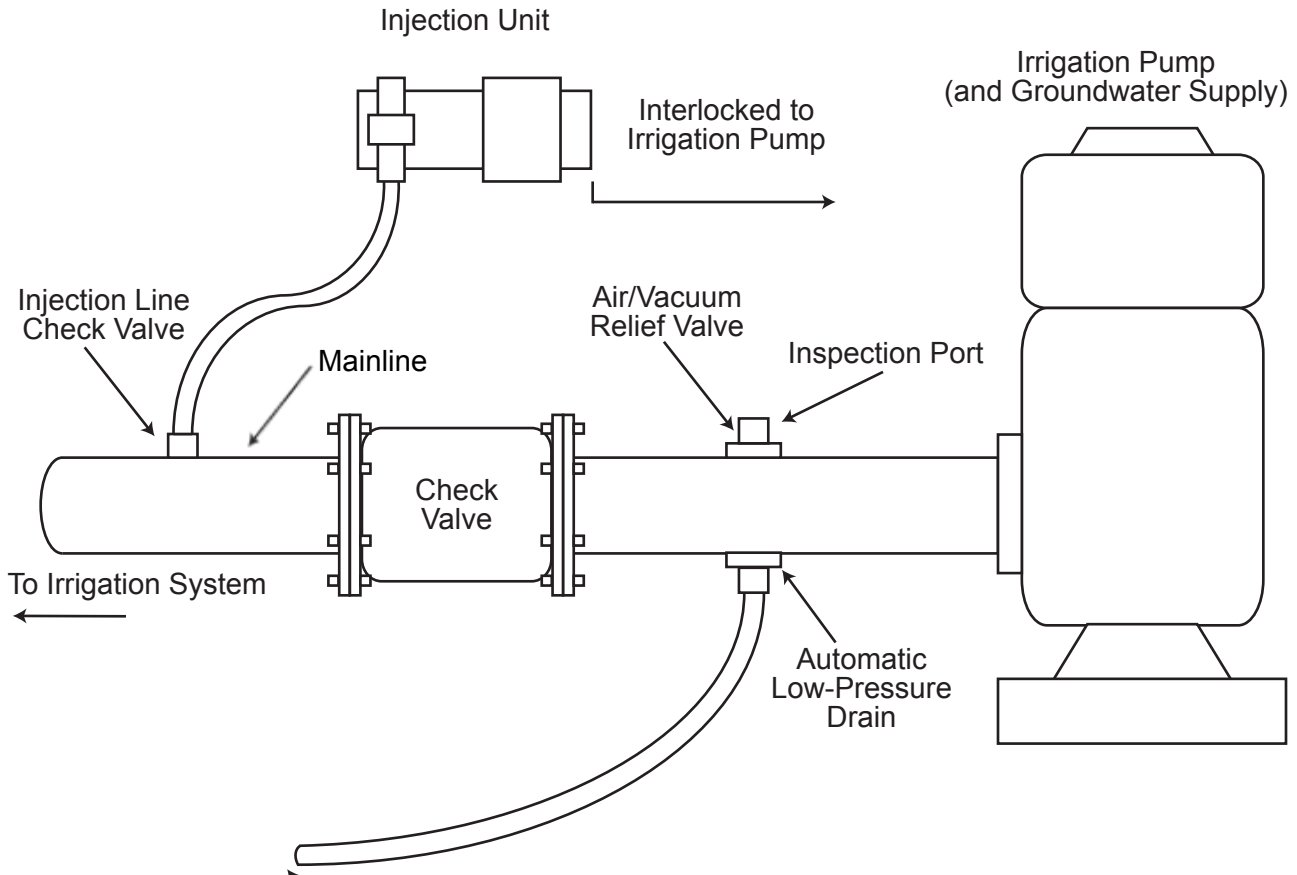


Backflow Prevention Device

Figure 215-1

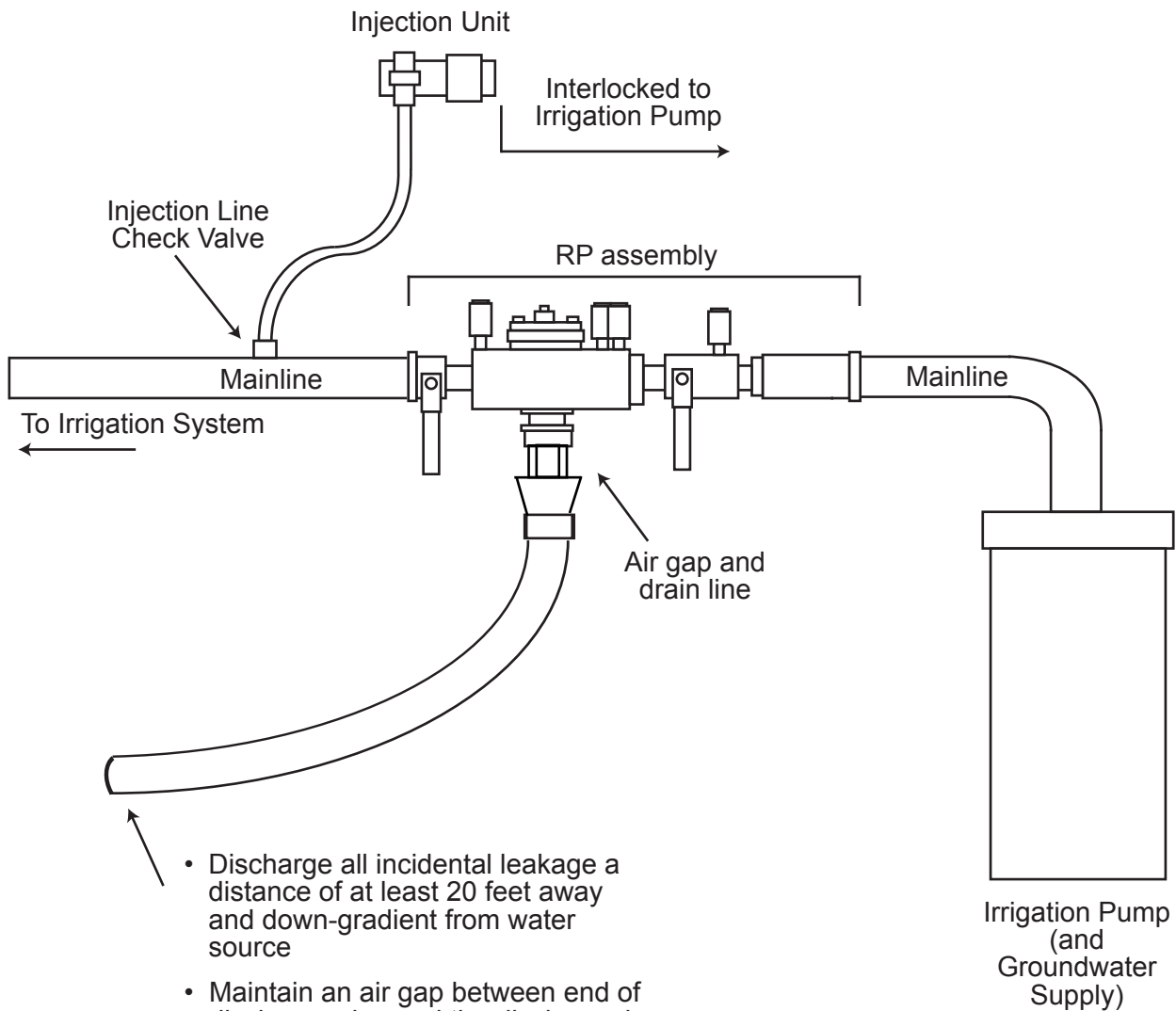


- Discharge solution a distance of at least 20 feet away and down-gradient from water source
- Maintain an air gap between end of discharge pipe and the discharged solution
- Chemical or fertilizer injection shall not occur within ten feet from a wellhead

Backflow prevention device using check valve with vacuum relief and low pressure drain.

Backflow Prevention Device

Figure 215-2



- Discharge all incidental leakage a distance of at least 20 feet away and down-gradient from water source
- Maintain an air gap between end of discharge pipe and the discharged solution
- Chemical or fertilizer injection shall not occur within ten feet from a wellhead

Backflow prevention device using a reduced pressure principle backflow prevention assembly (RP).