

STATE OF OREGON  
WATER WELL REPORT  
(as required by ORS 537.765)

DESC 8116

DESC 8116

MAY 25 1988

0935

22S/10E-11ac

(1) OWNER:

Name LaPine Sewage Treatment Plant  
Address Sun Country Eng. 61555 Parrell  
City Bend State OR Zip 97701

(2) TYPE OF WORK:

New Well  Deepen  Recondition  Abandon

(3) DRILL METHOD:

Rotary Air  Rotary Mud  Cable  Other

(4) PROPOSED USE:

Domestic  Community  Industrial  Irrigation  
 Thermal  Injection  Other

(5) BORE HOLE CONSTRUCTION:

Depth of Completed Well 45 ft.

Special Standards date of approval

HOLE		SEAL		Amount sacks or pounds
Diameter	From To	Material	From To	
6"	0 +50	cement	0 18	18 sacks

How was seal placed? Method  A  B  C  D  E  
 Other

Backfill placed from \_\_\_\_\_ ft. to \_\_\_\_\_ ft. Material \_\_\_\_\_

Gravel placed from -20 ft. to -45 ft. Size of gravel 8-12

(6) CASING/LINER:

Casing:	Diameter	From	To	Gauge				
					Steel	Plastic	Welded	Threaded
	6"	+2	-20	.440	<input type="checkbox"/>	<input checked="" type="checkbox"/>	<input type="checkbox"/>	<input checked="" type="checkbox"/>

Final location of shoe(s)

(7) PERFORATIONS/SCREENS:

Perforations Method \_\_\_\_\_  
 Screens Type Johnson Material steel

From	To	Slot size	Number	Diameter	Tele/pipe size	Casing	Liner
0	-45	10	5		6"	<input type="checkbox"/>	<input type="checkbox"/>

(8) WELL TESTS: Minimum testing time is 1 hour

Pump  Bailer  Air  Flowing Artesian

Yield gal/min	Pumping level	Drill stem at	Time 1/2 hr
6	43 ft.		1 hr
A & H Pump test			

Temperature of water 49 Depth Artesian Flow Found \_\_\_\_\_

Was a water analysis done?  Yes By whom Sun Country Eng.

Did any strata contain water not suitable for intended use?  Too little

Salty  Muddy  Odor  Colored  Other

Depth of strata: \_\_\_\_\_

(9) LOCATION OF WELL by legal description:

County Desch Latitude \_\_\_\_\_ Longitude \_\_\_\_\_  
Township 22S N of S Range 10E E or W, WM.  
Section 11 SW 1/4 NE 1/4  
Tax Lot \_\_\_\_\_ Lot \_\_\_\_\_ Block \_\_\_\_\_ Subdivision \_\_\_\_\_  
Street Address of Well (or nearest address) \_\_\_\_\_

(10) STATIC WATER LEVEL:

15 ft. below land surface. Date 5-16-88

Artesian pressure \_\_\_\_\_ lb. per square inch. Date \_\_\_\_\_

(11) WELL LOG:

Material	From	To	WB?	SWL
sandy topsoil	0	2		
brown coarse sandstone	2	18		15
black fine sand & gravel	18	45	yes	
brown coarse conglomerate				

Date started 5-13-88 Completed 5-16-88

(unbonded) Water Well Constructor Certification:

I constructed this well in compliance with Oregon well construction standards. Materials used and information reported above are true to my best knowledge and belief.

Signed \_\_\_\_\_ Date \_\_\_\_\_

(bonded) Water Well Constructor Certification:

I accept responsibility for construction of this well and its compliance with all Oregon water well standards. This report is true to the best of my knowledge and belief.

Signed *Larry Crawford* Date 5-20-88

Company Crawford Well Drilling Co. Job No. \_\_\_\_\_

NO 0935  
RECEIVED

MAY 20 1988

WATER RESOURCES DEPT  
SALEM, OREGON

"START CARD"  
NOTICE OF BEGINNING OF WELL CONSTRUCTION  
(as required by ORS 537.762)

This form must be completed, signed by both the owner (or authorized agent) and constructor, and the original delivered to the Water Resources Department prior to commencement of construction, alteration or abandonment of each well.

Owner's Name and Mailing Address LA PINE SEWAGE TREATMENT PLANT  
90 SUN COUNTRY ENGINEERING

Proposed Commencement Date 5-13-88

Proposed Well Depth 45, Diameter 10"

and Use:  
 Domestic  Community  Industrial  Irrigation  
 Thermal  Injection  Other

Proposed Well Location: County Deschutes

Township 22 S (N or S) Range 10 E (E or W) Section 11

At least 2 of these must be provided

- SW 1/4 of NE 1/4 of above section
- street address of well location \_\_\_\_\_
- tax lot number of well location \_\_\_\_\_
- attach approved map with location identified. (see reverse of this form for approved maps)

We hereby certify that we have read the back of this form, and that to the best of our knowledge the information provided herein is accurate and the well is being properly located from septic tanks and septic drain fields.

x Daniel P. Drake  
Owner's Signature  
Sun Country Engineering & Surveying  
Engineers Assistant  
Title  
5-13-88  
Date

x Larry Crawford  
Bonded Water Well Constructor  
License No. 570  
Company Crawford Well Drilling

Note: This is not a Water Right application. The owner is responsible for obtaining a Water Right through the Water Resources Department if required.

RECEIVED  
DATE 5-17-88  
WATER MASTER DISTRICT #11  
BY SMS

DATE NO.	REVISION	BY	DATE
		W.C.M.	
		J.O.E.	
		W.C.M.	

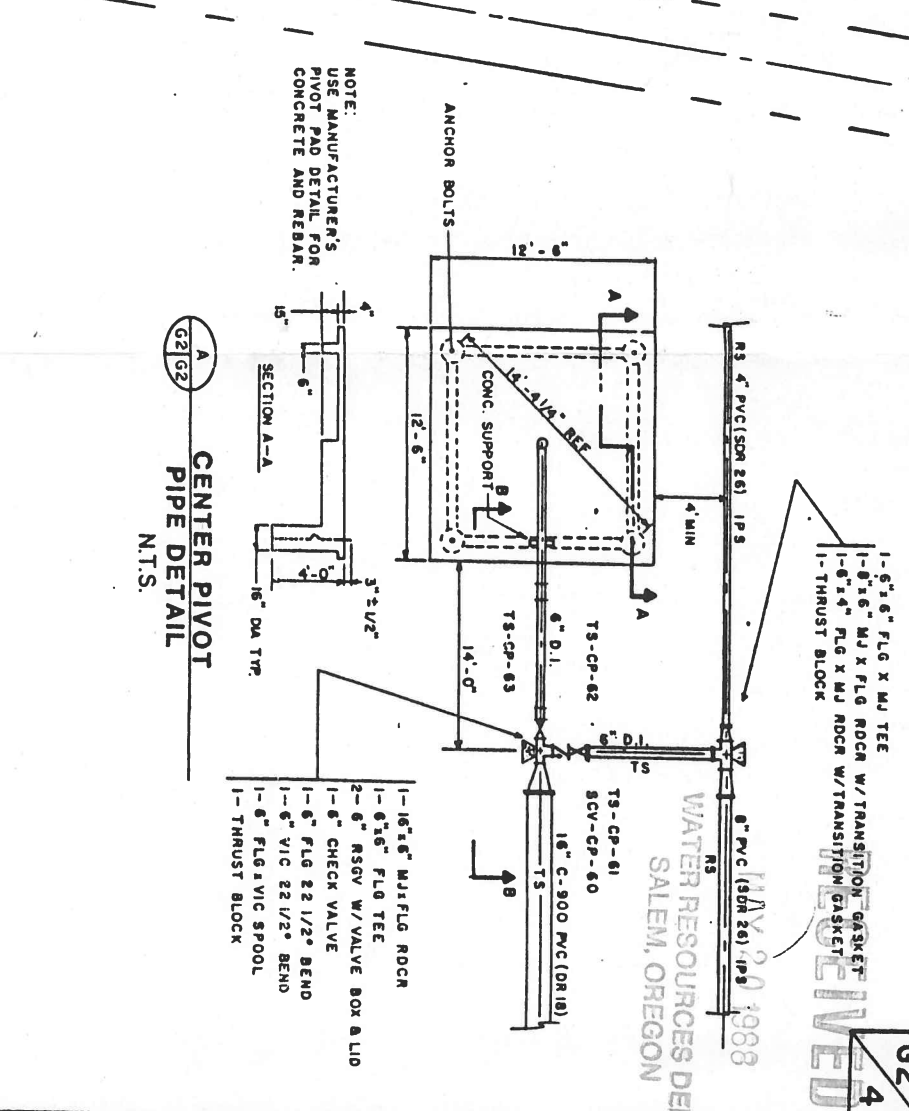
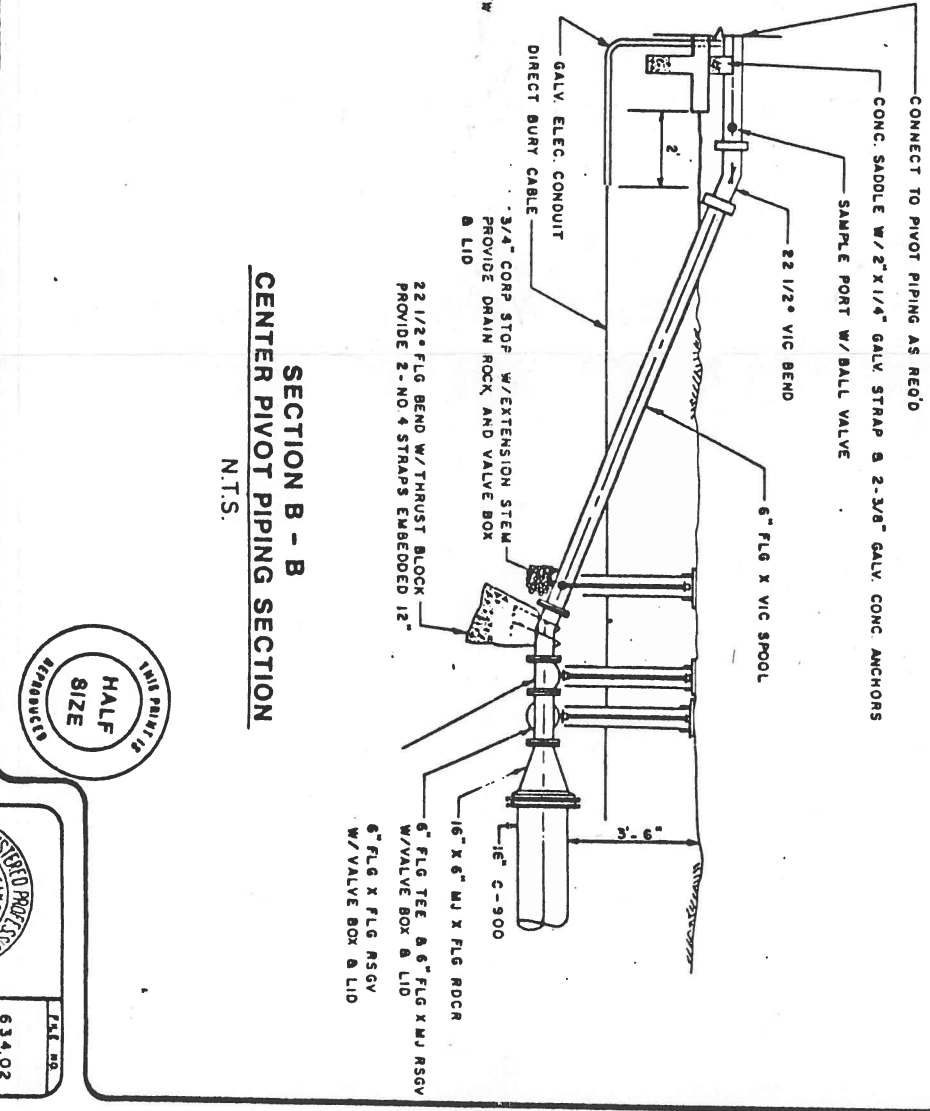
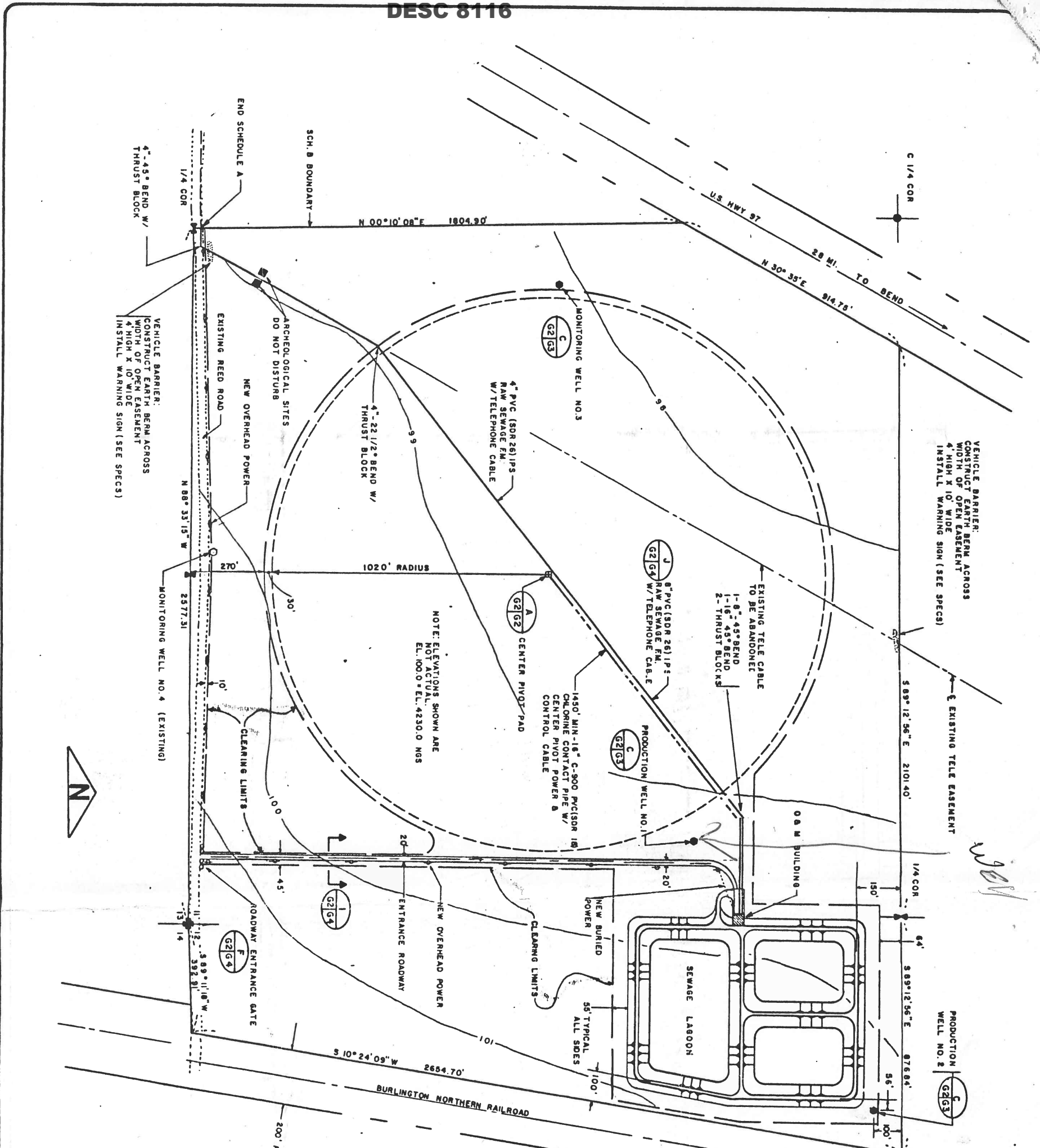
PROJECT: LA PINE SPECIAL  
SEWER DISTRICT: SCH B

SHEET TITLE: SITE PLAN

LEE ENGINEERING, INC.  
CONSULTING ENGINEERS  
OREGON CITY, OREGON

REGISTERED PROFESSIONAL ENGINEER  
STATE OF OREGON  
No. 12345  
LEE C. M. JONES

DATE NO. 634.02  
SHEET NO. 4



VEHICLE BARRIER:  
CONSTRUCT EARTH BERM ACROSS  
WIDTH OF OPEN EASEMENT  
4' HIGH X 10' WIDE  
INSTALL WARNING SIGN (SEE SPECS)

EXISTING TELE EASEMENT

PRODUCTION WELL NO. 2

NOTE:  
USE MANUFACTURER'S  
PIVOT PAD DETAIL FOR  
CONCRETE AND REBAR.

SECTION A-A

1-6" X 6" MJ X MJ TEE  
1-6" X 6" FLG ROCC W/ TRANSITION GASKET  
1-6" X 6" FLG X MJ ROCC W/ TRANSITION GASKET  
1-THRUST BLOCK

WATER RESOURCES DEPT  
SALEM, OREGON  
HYD. 01 1988