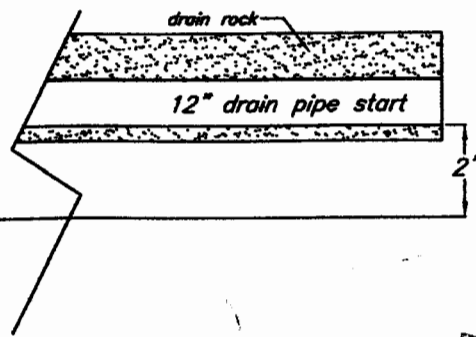
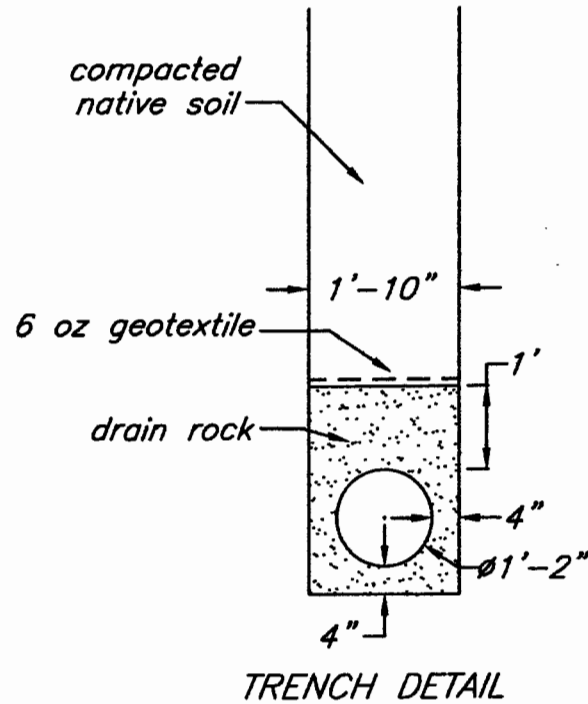
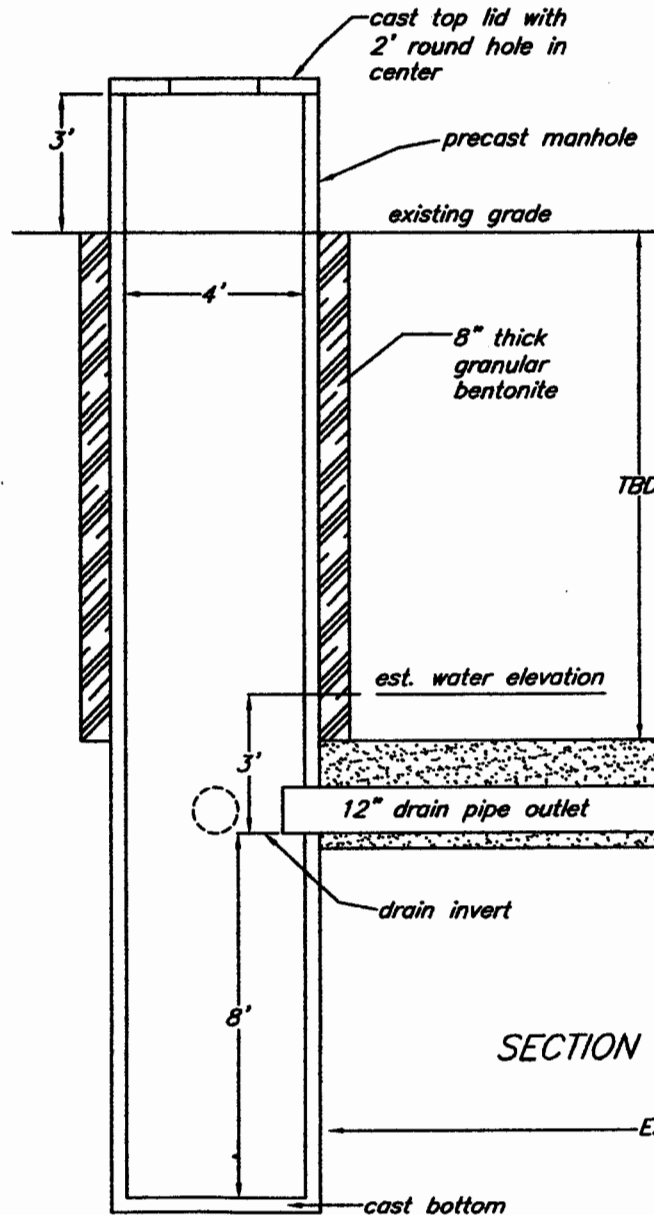






CONSTRUCTION NOTES:

- 1. Seal precast manhole sections with mastic.
- 2. Construct a steel plate for pipe access.

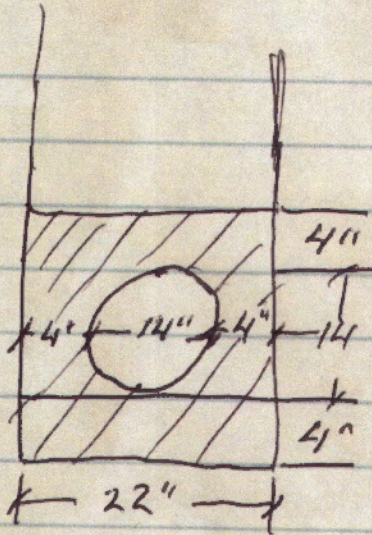


SECTION VIEW

RECEIVED BY OWRD  
NOV 07 2016  
SALEM, OR

Est. 1,600' per drain line





400 cy Gravel

RECEIVED BY OWRD

NOV 07 2016

SALEM, OR



# Oregon

Kate Brown, Governor

## Water Resources Department

North Mall Office Building  
725 Summer St NE, Suite A  
Salem, OR 97301  
Phone (503) 986-0900  
Fax (503) 986-0904  
www.wrd.state.or.us

March 25, 2016

BRANDON C BROWN WWC #1766  
WATER WELL DEVELOPING & SURVEYS  
PO BOX 156  
UMATILLA, OREGON 97882

### FINAL ORDER

Dear Mr. Brown:

The Special Standards Request Form you submitted for owner: Willow Creek Dairy - Greg Te Velde, Start Card number 1029964, is hereby approved for the following: You may construct this dewatering well as you described on your Special Standards Request Form and as shown graphically on the attached drawing. A copy of your Special Standards Request Form is enclosed. All other standards must be adhered to.

Verbal approval of this Special Standards Request was provided on March 11, 2016.

The Well Construction Standards serve to protect ground water resources. By approving and issuing this special construction standard the Oregon Water Resources Department is not representing that a well constructed in accordance with this condition will maintain structural integrity or that it meets engineering standards. The well constructor/or landowner is responsible for ensuring that a well is constructed in a manner that protects ground water resources as required under Oregon Administrative Rules 690-200 through 690-240.

If you have any questions concerning this letter, I may be contacted at (503) 986-0852, or by e-mail at Joel.W.Jeffery@ wrd.state.or.us.

Sincerely,

Joel Jeffery, Coordinator  
Well Construction Program  
Well Construction and Compliance Section

RECEIVED BY OWRD

NOV 07 2016

SALEM, OR

Enclosure

cc: Erik A. Thomasser, Well Inspector, Field Services Division, North Central Region  
File

This is a final order in other than contested case. This order is subject to judicial review under ORS 183.484. Any petition for judicial review must be filed within the 60 day time period specified by ORS 183.484(2). Pursuant to ORS 536.075 and OAR 137-004-0080 you may either petition for judicial review or petition the Director for reconsideration of this order. A petition for reconsideration may be granted or denied by the Director, and if no action is taken within 60 days following the date the petition was filed, the petition shall be deemed denied.





Oregon Water Resources Department
725 Summer Street NE, Suite A
Salem Oregon 97301-1266
(503) 986-0900
www.wrd.state.or.us

Special Standards
Request Form

REQUEST FOR WRITTEN APPROVAL TO USE CONSTRUCTION METHODS NOT INCLUDED IN OREGON ADMINISTRATIVE RULES 690-200 THROUGH 690-240

Before the request can be considered, this form must be completed. Requests shall be submitted to the Well Construction Program Coordinator, Water Resources Department, 725 Summer Street NE, Suite A, Salem OR 97301-1266. Requests may also be considered by the appropriate Regional Manager.

Date of request: 3/17/16 Oral approval date (if applicable): 3/11/16

Bonded Well Constructor (name, license #, and mailing address): Brandon Brown

1766, p.o.box 156, Umatilla OR 97882

(1) Location of Well: nw 1/4 sw 1/4 Tax lot 500 Section 16

Township 3 N, Range 26 E, Morrow County

Address at well site: 2 miles West of poleline rd. .5 mile south of homestead ln.

(2) Start Card Number(s)(for work to be done): 1029964

(3) Name and Address of Land Owner: Willow creek dairy- Greg Te Velde

5850 ave 160, Tipton CA 93272

(4) Distance to the nearest septic tank, drainfield, closed sewage line (if water supply well)

.5 mile

(5) The unusual site conditions which necessitate this request: Sediments deep in the

alluvial layer are too fine to permit water to transfer through efficiently.

(6) The proposed construction methods that the bonded well constructor believes will be adequate for this well: (attach additional pages if needed)

Attached with drawing

RECEIVED BY OWRD

RECEIVED BY OWRD

MAR 23 2016

NOV 07 2016

SALEM, OR

SALEM, OR

**MORR 52389**

- (7) Diagram showing the pertinent features of the proposed well design and construction:  
(attach additional pages if needed)

RECEIVED BY OWRD

NOV 07 2016

SALEM, OR

---

**PLEASE NOTE:**

- (1) The Well Construction Standards serve to protect ground water resources. By approving and issuing this special construction standard the Oregon Water Resources Department is not representing that a well constructed in accordance with this condition will maintain structural integrity or that it meets engineering standards. The well constructor/or landowner is responsible for ensuring that a well is constructed in a manner that protects ground water resources as required under Oregon Administrative Rules 690-200 through 690-240.
- (2) If it should be determined at some future date that the well, due to its construction, is allowing ground water contamination, waste or loss of artesian pressure, the undersigned shall return to the site and rectify the problem.
- (3) If oral approval was granted, a written request must be submitted to the Department either within three (3) working days of the date of oral approval or prior to the completion of the associated well work. Failure to submit a written request as described above may void prior oral approval.

I have read and understand the above information. I further attest that the information provided is accurate to the best of my knowledge.

Bonded Constructor Signature: \_\_\_\_\_



RECEIVED BY OWRD

MAR 23 2016

SALEM



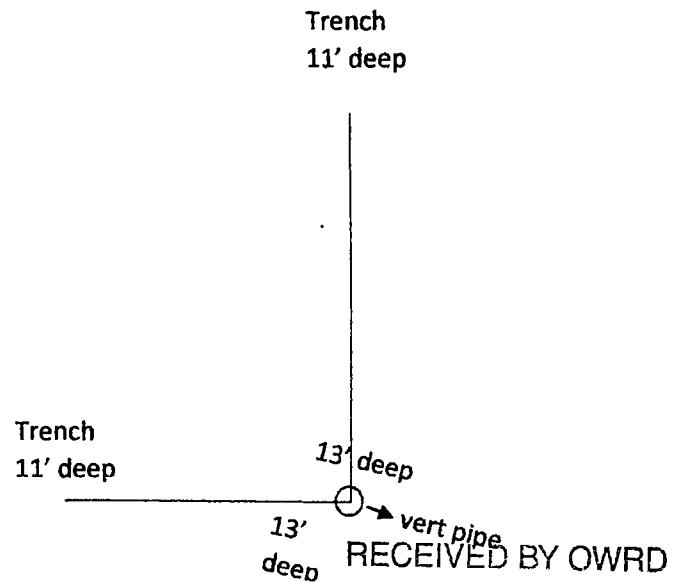
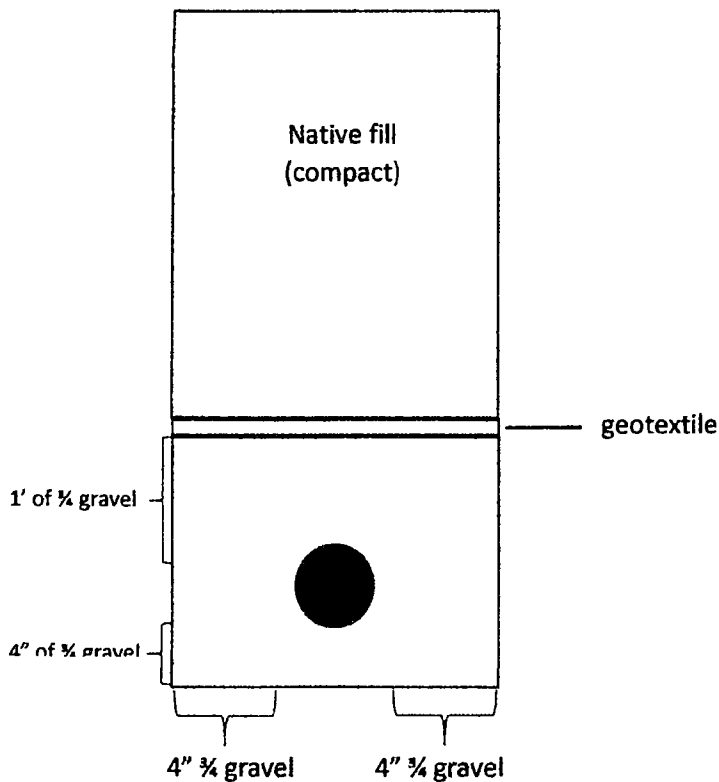
# MORR 52389

## Vert Pipe

- 48" cement tile manhole rings
  - Finished 2-4' above grade
  - Min 8" of bentonite for annular seal (8" annular radius) from geotextile to land surface (appropriately placed)
  - Set into concrete (concrete closed base)
  - 2x12-14"OD perforated collector pipes set into vert. pipe
  - ID tag (appropriately attached)
  - Bead weld "water well" onto lid

## Collector pipes and trenches

- 2 trenches: 2'w x 1600'l x (11-13'd)
  - Constructed from the bottom to the top as per the following:
    - 4"  $\frac{3}{4}$  gravel
    - 14" od perf HDPE collectors with 4"  $\frac{3}{4}$  gravel on the sides
    - 1' of  $\frac{3}{4}$  gravel
    - Geotextile (fitter fabric)
    - Compacted native fill
  - Drawing attached



NOV 07 2016

SALEM, OR

RECEIVED BY OWRD

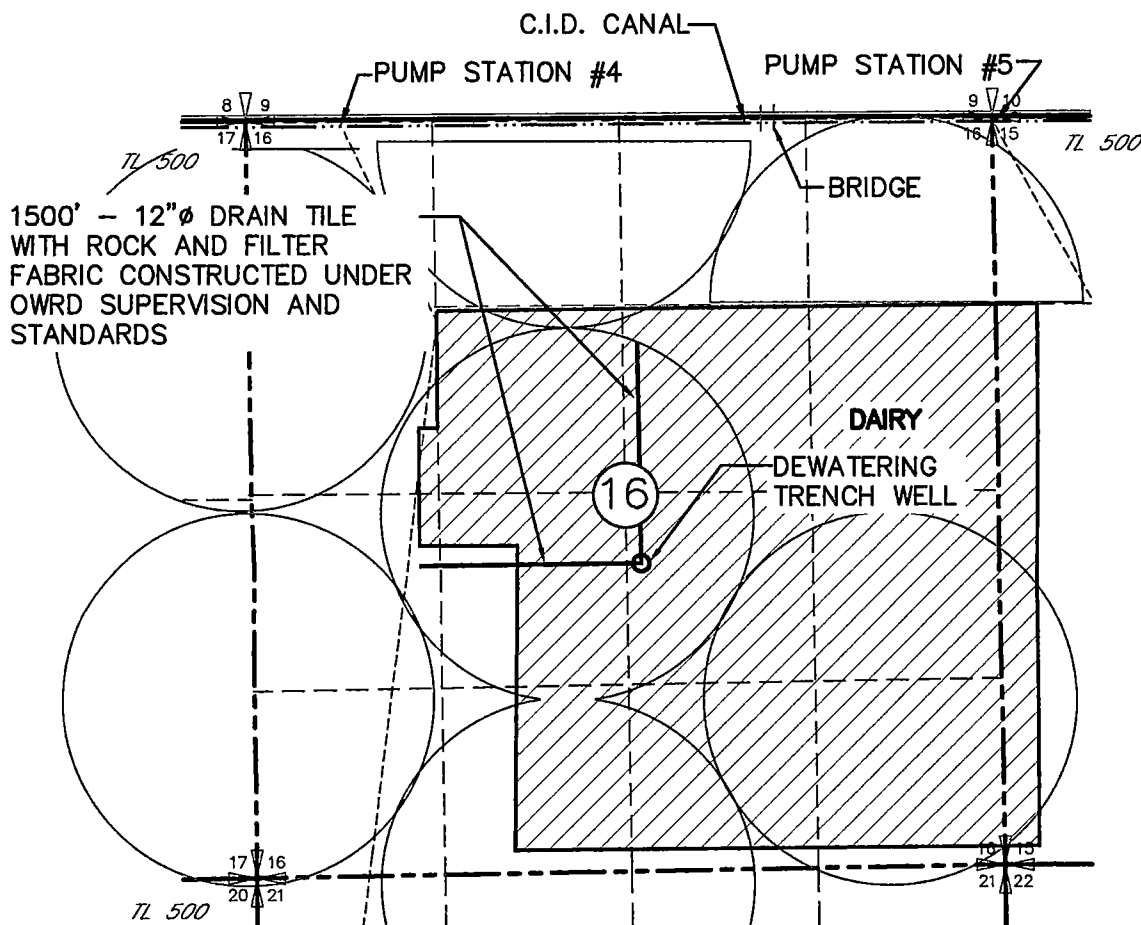
MAR 23 2016

SALEM, OR

# APRIL 26, 2016 ONE YEAR LIMITED LICENSE APPLICATION MAP to VELDE

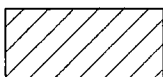
T3N, R26E, W.M., MORROW COUNTY

## USE FOR CONSTRUCTION OF A DAIRY



1500' - 12"Ø DRAIN TILE  
WITH ROCK AND FILTER  
FABRIC CONSTRUCTED UNDER  
OWRD SUPERVISION AND  
STANDARDS

DAIRY  
DEWATERING  
TRENCH WELL



PROPOSED PLACE OF USE  
FOR THE CONSTRUCTION OF  
A DAIRY

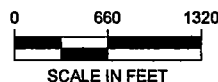
DRAINS P.O.A.  
TRENCH WELL LOCATED 3150'S AND 2550'W  
FROM THE NE COR SEC 16



RECEIVED BY OWRD

NOV 07 2016

SALEM, OR



NOTE:  
THE PURPOSE OF THIS MAP IS TO IDENTIFY THE APPROXIMATE LOCATION OF THE WATER RIGHT. IT IS NOT INTENDED  
TO PROVIDE INFORMATION RELATIVE TO THE LOCATION OF PROPERTY OWNERSHIP BOUNDARY LINES. PIPE LOCATIONS  
AND SIZES WERE SHOWN WERE PROVIDED BY FARM OPERATIONAL PERSONNEL AND ARE APPROXIMATE LOCATIONS AND  
SIZES.

DRAWING: \\Kwik\pub\Project\30-08-016 - Portly Water Rights Consulting\00 Misc Engineering\Cad\to VELDE\30-08-016 to VELDE LL.dwg  
PRINTED BY: rwillard on 04/28/18 04:40 AM

# Vert Pipe

MORR 52389

\* 48" cement-tile manhole rings

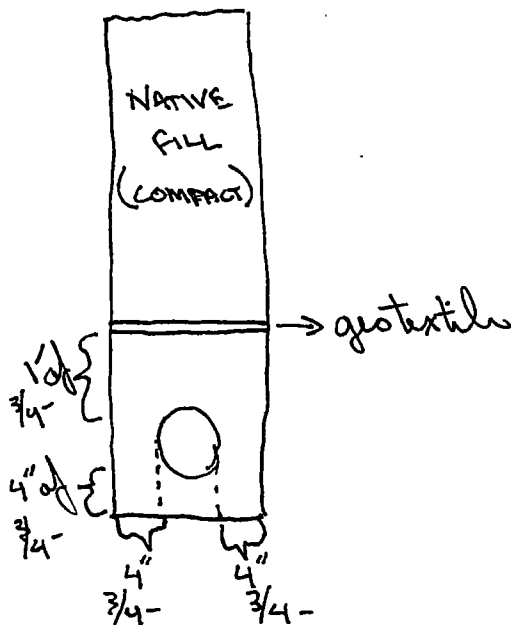
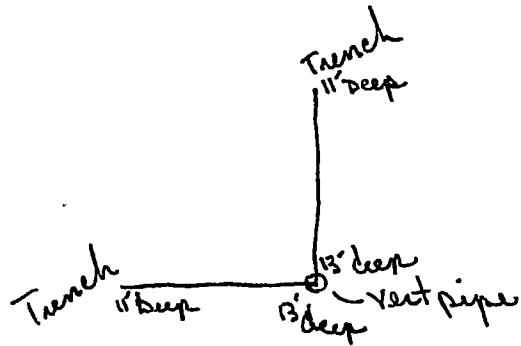
- finished 2-4' above grade
- min 8" of bentonite for annular seal (8" annular radius)
- set - from geotextile to land surface (appropriately placed)
- set into concrete (concrete closed base)
- 2 x 12/14" OD perforated collector pipes set into vert. pipe.
- 6" x ballast min 2' from vert. pipe
- ID tag (appropriately attached)
- Bead weld "Water Well" onto lid

## Collector Pipes & Trenches

\* 2 x trenches: 2' x 1600' x (11-13')

constructed from the bottom to the top as per the following:

- 4" 3/4- gravel
- 14" OD Perf. HDPE collectors w/ 4" of 3/4- gravel on the sides
- 1' of 3/4- gravel
- geotextile (filter fabric)
- compacted native fill



RECEIVED BY OWRD

NOV 07 2016

SALEM, OR