

STATE OF OREGON
WATER WELL REPORT
(as required by ORS 537.765)

RECEIVED

NOV - 7 1994

WASH
4251

25/1w/11 cb

WATER RESOURCES DEPT.

(START CARD) # 56075

(1) OWNER:

Name John Wardin
 Address 15082 SW 103rd
 City Tigard State OR Zip 97224

SALEM, OREGON

(2) TYPE OF WORK:

New Well Deepen Recondition Abandon

(3) DRILL METHOD:

Rotary Air Rotary Mud Cable
 Other Boom Truck to Set Manhole Section

(4) PROPOSED USE:

Domestic Community Industrial Irrigation/Landscape
 Thermal Injection Other

(5) BORE HOLE CONSTRUCTION:

Special Construction approval Yes No Depth of Completed Well 375 ft.
 Explosives used Yes No Type _____ Amount _____

HOLE		SEAL		Amount sacks or pounds
Diameter	From To	Material	From To	
UNCHANGED	-	SEE DESCRIPTION OF WORK		

How was seal placed: Method A B C D E
 Other _____

Backfill placed from _____ ft. to _____ ft. Material _____
 Gravel placed from _____ ft. to _____ ft. Size of gravel _____

(6) CASING/LINER:

Diameter	From	To	Gauge	Steel	Plastic	Welded	Threaded
Casing: 6"	*	*		<input checked="" type="checkbox"/>	<input type="checkbox"/>	<input type="checkbox"/>	<input type="checkbox"/>
	*UNCHANGED FROM EXISTING			<input type="checkbox"/>	<input type="checkbox"/>	<input type="checkbox"/>	<input type="checkbox"/>
Liner:				<input type="checkbox"/>	<input type="checkbox"/>	<input type="checkbox"/>	<input type="checkbox"/>

Final location of shoe(s) _____

(7) PERFORATIONS/SCREENS:

Perforations Method _____
 Screens Type _____ Material _____

From	To	Slot size	Number	Diameter	Tele/pipe size	Casing	Liner
UNCHANGED							

(8) WELL TESTS: Minimum testing time is 1 hour

Pump Bailer Air Flowing Artesian

Yield gal/min	Drawdown	Drill stem at	Time
See Water for Permit No. G-1612, Certificate No. 32496, Performed 6/26/90.	Right Pump Test Data		1 hr.

(9) LOCATION OF WELL by legal description:

County Washington Latitude _____ Longitude _____
 Township 2S N or S. Range 1W E or W. WM. _____
 Section 11 NW SW
 Tax Lot _____ Lot _____ Block _____ Subdivision _____
 Street Address of Well (or nearest address) 15082 SW 103rd Tigard, OR 97132

(10) STATIC WATER LEVEL:

205 ft. below land surface. Date 6/26/90
 Artesian pressure _____ lb. per square inch. Date _____

(11) WATER BEARING ZONES:

Depth at which water was first found _____

From	To	Estimated Flow Rate	SWL

(12) WELL LOG:

Ground elevation approx. 360' above MSL

Material	From	To	SWL
NO DRILLING.			
Description of Work:			
Excavated around existing well depth to a depth of approximately 2 feet. Set concrete manhole section over well and poured pre-mixed concrete around base of manhole section and up inside cone section for 8" thick concrete base with 30 sacks of premix concrete. Grouted watertite frame and cover in place and sealed pipe and conduit penetration opening into manhole section. Pump was never removed from the well. Backfilled around the manhole section after concrete was set. Cut off 2" PVC inside manhole section so any water seepage would discharge into drain.			
SEE ATTACHED.			

Date started 10/3/94 Completed 10/6/94

(unbonded) Water Well Constructor Certification:

I certify that the work I performed on the construction, alteration, or abandonment of this well is in compliance with Oregon well construction standards. Materials used and information reported above are true to my best knowledge and belief.

Signed [Signature] WWC Number 1570
 Date 11/2/94

(bonded) Water Well Constructor Certification:

I accept responsibility for the construction, alteration, or abandonment work performed on this well during the construction dates reported above. All work performed during this time is in compliance with Oregon well construction standards. This report is true to the best of my knowledge and belief.

Signed [Signature] WWC Number 673
 Date 11/2/94

RECEIVED

Oregon

September 30, 1994

NOV - 7 1994

WATER RESOURCES DEPT.
SALEM, OREGON

WATER
RESOURCES
DEPARTMENT

Tom Schneider
Schneider Equipment, Inc.
21881 River Road NE
St. Paul, OR 97137


Dear Tom:

The Water Resources Department has received your request for special standards on the Wardin well located in Township 2S, Range 1W, Section 11 of Washington County.

Due to the need to develop the area around this existing certificated well, you are proposing to place the well in a vault. I have reviewed the proposed construction diagrams you submitted and find this methodology to be acceptable. Your request for special standards is therefore approved.

If you have any questions concerning this letter, please contact me by phone at (503) 396-3121 x254 or by fax at (503) 396-6233.

Sincerely,


Rob Carter
Well Construction Specialist

cc: Jerry Rodgers, Watermaster
Richard Edwards, Well Inspector

or\wp51\es94\wardin



STATE OF OREGON
WATER RESOURCES DEPARTMENT

RECEIVED

NOV - 7 1994

REQUEST FOR WRITTEN APPROVAL TO USE CONSTRUCTION METHODS NOT INCLUDED IN THE RULES AND REGULATIONS PRESCRIBING GENERAL STANDARDS FOR THE CONSTRUCTION AND MAINTENANCE OF WELLS IN OREGON

WATER RESOURCES DEPT.
SALEM, OREGON

Before approval can be considered the following questions must be answered.

Requests shall be submitted to the Watermaster Division, 3850 Portland Road, NE, Salem, OR 97310.

Date:

9/23/94

Well Constructor:

Schneider Equipment, Inc Thomas A. Schneider woc # 673
21881 River Road NE, St Paul, OR 97137

(1) Location of Well: NW 1/4 SW 1/4 of Section 11,

Township 2S, Range 1W, Washington County.

Address at well site or nearest known address: 15082 SW 103rd
Tigard, OR 97224

(2) Name and address of Landowner:

John Wardin
3900 Portland Road
Newberg, OR 97132

(3) The distance to the nearest well and septic drainfield: This is a newly developed residential area with city water & sewer service to residential structures

(4) The unusual conditions existing at the well site: House construction within 15ft of well results in backfill over the existing well height of approx 1-2 ft. well to be used for landscape irrigation & is located within 2 ft of front walkway.

(5) The proposed construction methods that the well constructor or landowner constructing the well believes will be adequate for his particular well:

Excavate approximately 1-2 ft below previous ground level to place standard manhole cone section in a cast in place concrete base with drain & check valve & drain line down slope towards the street. See attached

(6) A diagram showing the pertinent features of the proposed well design and construction (attach additional sheet if necessary):

See Attached

RECEIVED

NOV - 7 1994

WATER RESOURCES DEPT.
SALEM, OREGON

(Signed) *Thomas C. Schmidt*
(WELL CONSTRUCTOR)

For Water Resources Department Use Only

Date: 9-30-94

Approved by: *[Signature]*

Denied by: _____

Remarks: Approved as submitted.

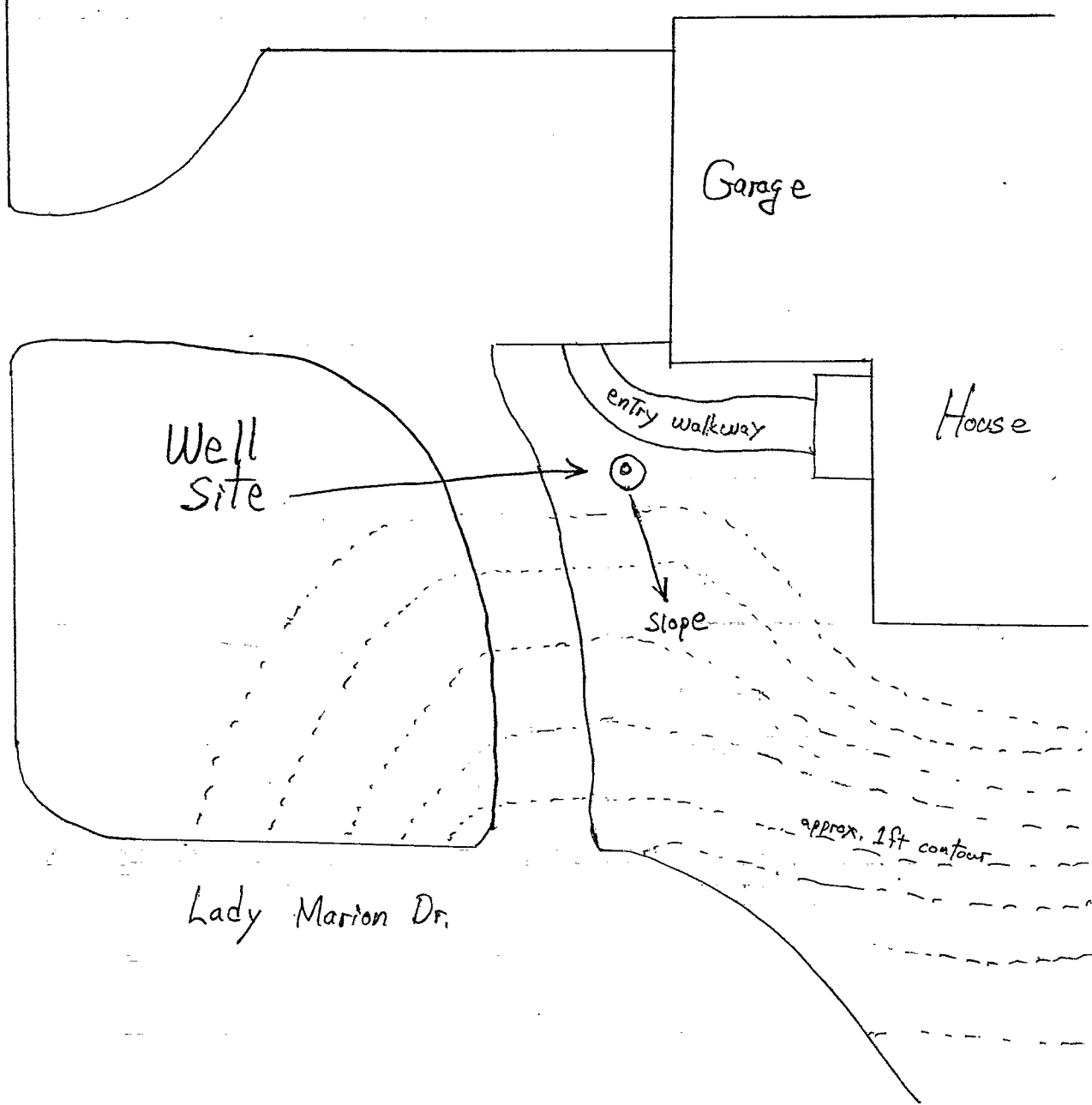
- NOTE:
- (1) If approval, all other phases of construction must be in compliance with State Well Construction Standards.
 - (2) If it should be determined at some future date that the well, due to its construction, is offering an avenue for pollution of the ground water body, it will be necessary for you to return to the site to correct any well deficiencies.

RECEIVED

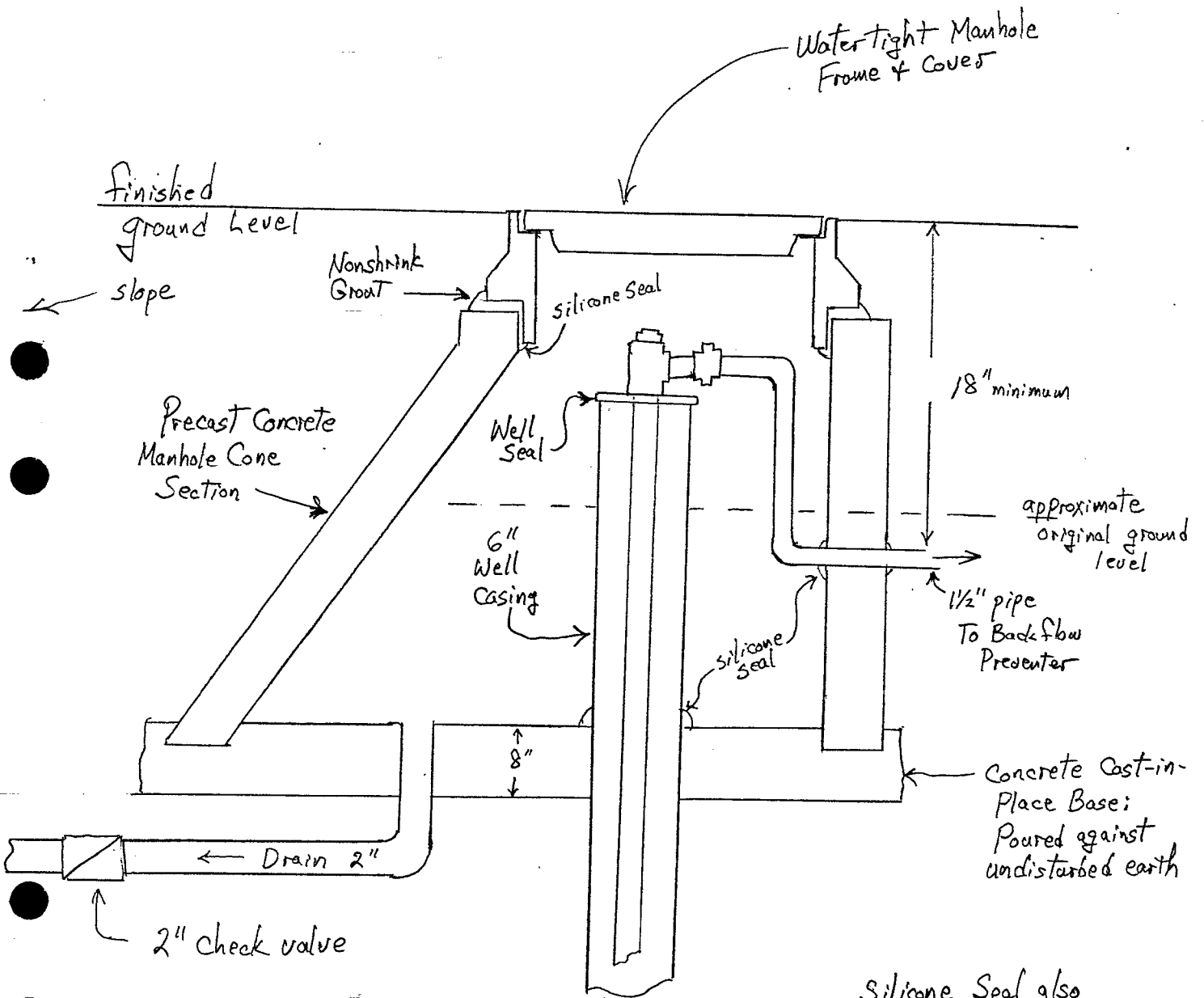
NOV - 7 1994

WATER RESOURCES DEPT.
SALEM, OREGON

SW 103rd



Lady Marion Dr.



2" drain line extending approximately 25 ft down slope to dry well

Silicone Seal also required around 1" PVC Conduit where it enters the concrete manhole approximately 18" below finished grade

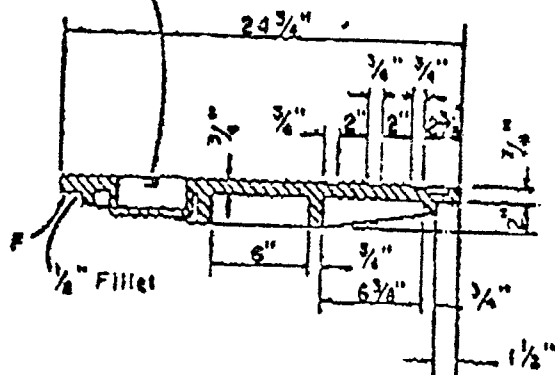
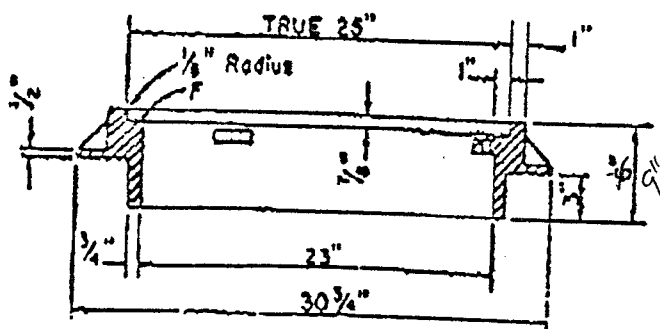
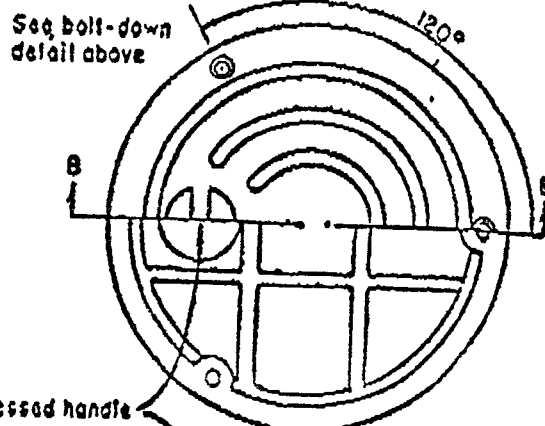
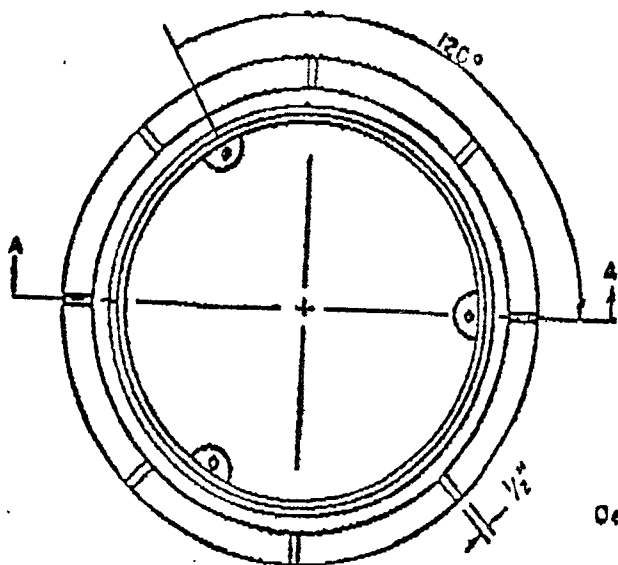
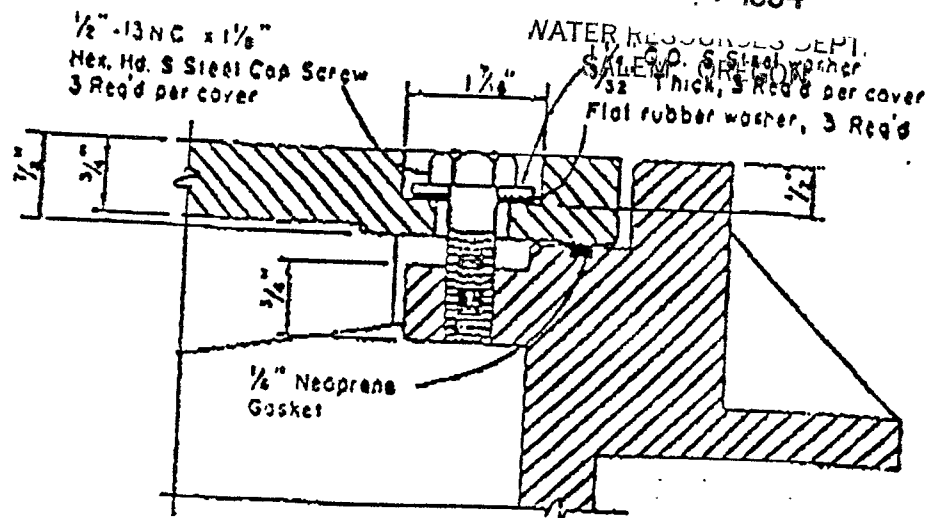
RECEIVED

NOV - 7 1994

WATER RESOURCES DEPT.
SALEM, OREGON

RECEIVED

NOV - 7 1994



SECTION A-A

SECTION B-B

NOTES:
 1. COVER & FRAMES TO BE MACHINED TO A TRUE BEARING ALL AROUND.
 2. MATERIAL SHALL BE OF GREY CAST IRON, A.S.T.M. A-48, CLASS 30

WATERTIGHT LID

SCHNEIDER ENGINEERING, INC.
 21681 RIVER RD. N.W.
 ST. PAUL, OR 97137